



Errata

Erratum: “Corner-Filletted Flexure Hinges” [ASME J. Mech. Des., 123, No. 3, pp. 346–352]

Nicolae Lobontiu, Jeffrey S. N. Paine, Ephrahim Garcia, and Michael Goldfarb

The correct equations (15), (16) and (17) are:

$$C_{11} = 12/(Ebt^3)\{l - 2r + 2r[t(4r+t)(6r^2 + 4rt + t^2) + 6r(2r+t)^2 t^{1/2}(4r+t)^{1/2} a \tan(1 + 4r/t)^{1/2}](2r+t)^{-1}(4r+t)^{-3}\} \quad (15)$$

$$C_{12} = -6l/[Ebt^3(2r+t)(4r+t)^2]\{(4r+t)[l(2r+t)(4r+t)^2 - 4r^2(16r^2 + 13rt + 3t^2)] + 12r^2(2r+t)^2 t^{1/2}(4r+t)^{1/2} a \tan(1 + 4r/t)^{1/2}\} \quad (16)$$

$$C_{22} = 3/(Eb)\{4(l-2r)(l^2 - lr + r^2)(3t^3)^{-1} + 1/2\{t^{1/2}(4r+t)^{1/2}[-80r^4 + 24r^3t + 8(3+2\pi)r^2t^2 + 4(1+2\pi)rt^3 + \pi t^4] + 4(2r+t)^3(6r^2 - 4rt - t^2)a \tan(1 + 4r/t)^{1/2}\}(2t^{5/2}(4r+t)^{5/2})^{-1} + [-40r^4 + 8lr^2(2r-t) + 12r^3t + 4(3+2\pi)r^2t^2 + 2(1+2\pi)rt^3 + \pi t^4/2]t^{-2}(4r+t)^{-2} + 8l^2r(6r^2 + 4rt + t^2)(2r+t)^{-1}t^{-2}(4r+t)^{-2} - \{2(2r+t)[-24(l-r)^2r^2 - 8r^3t + 14r^2t^2 + 8rt^3 + t^4]a \tan(1 + 4r/t)^{1/2}\}t^{-5/2}(4r+t)^{-5/2}\}. \quad (17)$$

**Erratum: “An Automatic Method for Finding the Assembly Configurations
of Planar Non-Single-Input-Dyadic Mechanisms”**
[ASME J. Mech. Des., 124, No. 1, pp. 58–67]

D. E. Foster and R. J. Cipra

Figure 6 was incorrectly printed. The following is the correct figure:

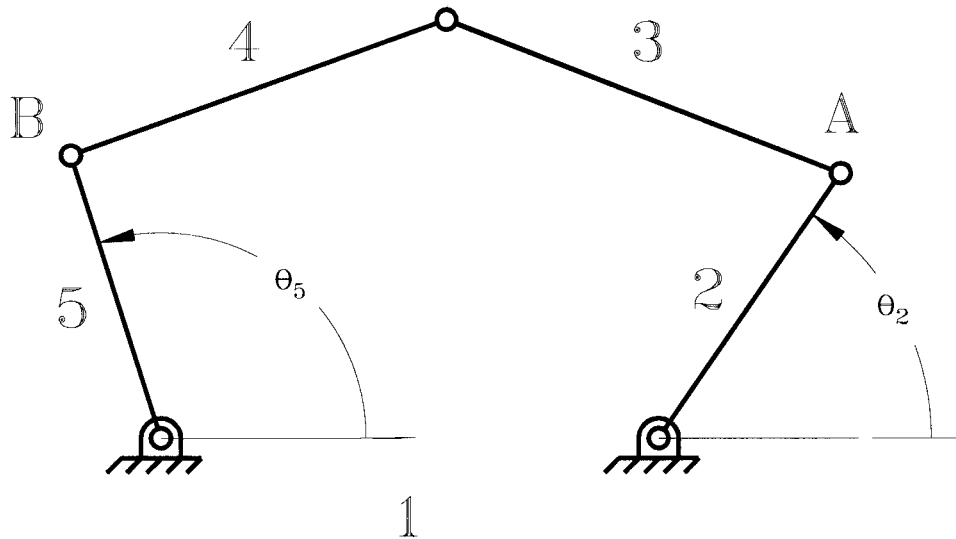


Fig. 6 Five-bar linkage