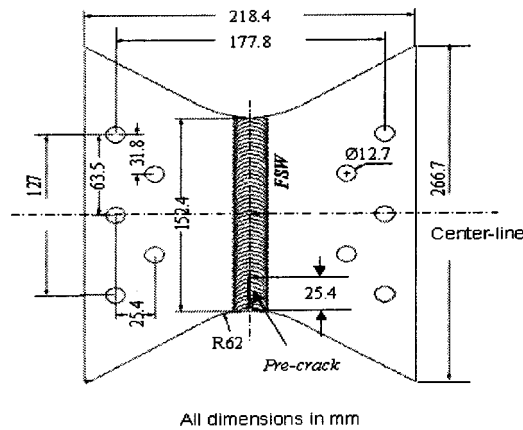


**Erratum: “A Study of Residual Stresses and Microstructure
in 2024-T3 Aluminum Friction Stir Butt Welds”
[ASME J. Eng. Mater. Technol., 124, No. 2, pp. 215–222]**

M. A. Sutton, A. P. Reynolds, D.-Q. Wang, and C. R. Hubbard

Figure 2 on p. 216 of the article does not have the correct dimensions for the Arcan test specimens. The discrepancy can be seen by comparing Fig. 2 to Fig. 6 in the article. The properly dimensioned drawing for Fig. 2 is shown below along with a note in the figure caption to indicate that the thickness is ≈ 6.3 mm.



**Fig. 2 Arcan specimen with location of friction stir weld.
Thickness ≈ 6.3 mm after light machining of surfaces.**