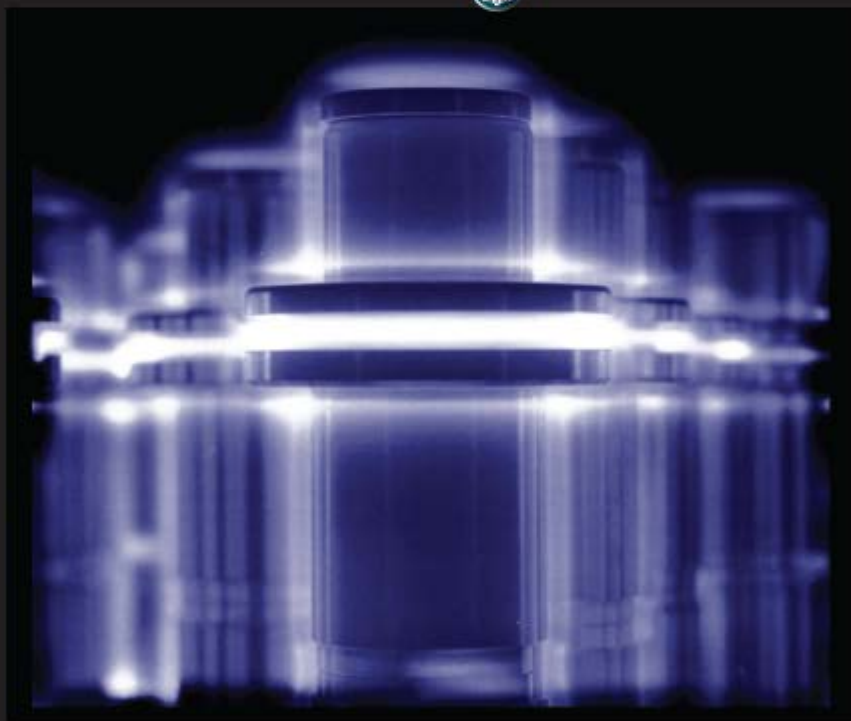


Practical  
**NITRIDING**  
and Ferritic Nitrocarburizing

An  ASM Materials Solutions Publication



David Pye

  
**ASM**  
INTERNATIONAL

Practical  
**NITRIDING**  
and Ferritic Nitrocarburizing

David Pye



ASM International  
Materials Park, Ohio 44073-0002  
[www.asminternational.org](http://www.asminternational.org)

Copyright © 2003  
by  
ASM International®  
All rights reserved

No part of this book may be reproduced, stored in a retrieval system, or transmitted, in any form or by any means, electronic, mechanical, photocopying, recording, or otherwise, without the written permission of the copyright owner.

First printing, December 2003

Great care is taken in the compilation and production of this book, but it should be made clear that NO WARRANTIES, EXPRESS OR IMPLIED, INCLUDING, WITHOUT LIMITATION, WARRANTIES OF MERCHANTABILITY OR FITNESS FOR A PARTICULAR PURPOSE, ARE GIVEN IN CONNECTION WITH THIS PUBLICATION. Although this information is believed to be accurate by ASM, ASM cannot guarantee that favorable results will be obtained from the use of this publication alone. This publication is intended for use by persons having technical skill, at their sole discretion and risk. Since the conditions of product or material use are outside of ASM's control, ASM assumes no liability or obligation in connection with any use of this information. No claim of any kind, whether as to products or information in this publication, and whether or not based on negligence, shall be greater in amount than the purchase price of this product or publication in respect of which damages are claimed. THE REMEDY HEREBY PROVIDED SHALL BE THE EXCLUSIVE AND SOLE REMEDY OF BUYER, AND IN NO EVENT SHALL EITHER PARTY BE LIABLE FOR SPECIAL, INDIRECT OR CONSEQUENTIAL DAMAGES WHETHER OR NOT CAUSED BY OR RESULTING FROM THE NEGLIGENCE OF SUCH PARTY. As with any material, evaluation of the material under end-use conditions prior to specification is essential. Therefore, specific testing under actual conditions is recommended.

Nothing contained in this book shall be construed as a grant of any right of manufacture, sale, use, or reproduction, in connection with any method, process, apparatus, product, composition, or system, whether or not covered by letters patent, copyright, or trademark, and nothing contained in this book shall be construed as a defense against any alleged infringement of letters patent, copyright, or trademark, or as a defense against liability for such infringement.

Comments, criticisms, and suggestions are invited and should be forwarded to ASM International.

*Prepared under the direction of the ASM International Technical Book Committee (2002–2003), Charles A. Parker, Chair*

*ASM International staff who worked on this project include Charles Moosbrugger, Acquisitions Editor; Bonnie Sanders, Manager of Production; Nancy Hrivnak, Jill Kinson, and Carol Polakowski, Production Editors; and Scott Henry, Assistant Director of Reference Publications.*

Library of Congress Cataloging-in-Publication Data

Pye, David, 1939–

Practical nitriding and ferritic nitrocarburizing / David Pye

p. cm.

Includes bibliographical references and index.

1. Nitriding. 2. Case hardening. 3. Steel—Heat treatment. I. Title.

TN752.C3P4 2003

671.3'6—dc21

2003056298

ISBN: 0-87170-791-8

SAN: 204-7586

ASM International®  
Materials Park, OH 44073-0002  
[www.asminternational.org](http://www.asminternational.org)

Printed in the United States of America

---

---

# Contents

Preface. . . . . ix

## **PART 1 Nitriding**

### **CHAPTER 1**

**An Introduction to Nitriding . . . . . 1**

- Metallurgical Considerations and Process Requirements . . . . . 1
- The Pioneering Work of Machlet . . . . . 3
- Parallel Work in Europe . . . . . 4
- Developments in the United States . . . . . 6
- Other Early Developments . . . . . 8
- Current Status of Nitriding Technology . . . . . 11

### **CHAPTER 2**

**Why Nitride? . . . . . 13**

- Key Process Considerations . . . . . 14
- Concluding Remarks . . . . . 22

### **CHAPTER 3**

**How Does the Nitriding Process Work? . . . . . 23**

- The Liberation of Nitrogen . . . . . 24
- Dissociation of the Gas at the Selected Nitriding Temperature . . . . . 25
- Why Ammonia Is Used . . . . . 26
- Distortion . . . . . 27
- Preheat Treatment . . . . . 28

### **CHAPTER 4**

**Microstructures of Nitrided Iron and Steel . . . . . 31**

- Influence of Carbon on the Compound Zone . . . . . 32
- Controlling Compound Zone Thickness . . . . . 32
- What Happens Below the Compound Zone? . . . . . 35

Can Plain Carbon Steel Be Nitrided? .....	35
Calculating the Compound Zone Thickness .....	36
Other Factors Affecting Surface Case Formation .....	36
<b>CHAPTER 5</b>	
<b>Furnace Equipment and Control Systems .....</b>	<b>39</b>
Essential Furnace Design Criteria .....	40
Types of Nitriding Furnaces .....	42
Insulation .....	42
Determining Appropriate Furnace Design .....	43
Retort Construction .....	43
Retort Maintenance .....	44
Sealing the Retort to Prevent Ammonia Leaks .....	44
Safety Precautions When Using Ammonia .....	46
Furnace Heating .....	47
Process Control and Instrumentation .....	49
<b>CHAPTER 6</b>	
<b>Salt Bath Nitriding .....</b>	<b>53</b>
Salts Used and Process Advantages .....	53
Types of Salt Bath Nitriding Processes .....	54
Salt Bath Nitriding Equipment and Procedure .....	55
Using a New Salt Bath .....	55
Bath Replacement .....	58
Bath Testing and Analysis .....	58
Bath Maintenance .....	61
Operating the Salt Bath .....	62
Safety Precautions .....	62
Design Parameters for Furnace Equipment .....	63
<b>CHAPTER 7</b>	
<b>Control of the Compound Zone or White Layer .....</b>	<b>65</b>
A Test to Determine the Presence of the White Layer .....	66
Reduction of the Compound Zone by the Two-Stage Process .....	66
Other Methods for Controlling Compound Zone Formation .....	67
Case Depth of Nitriding .....	68
<b>CHAPTER 8</b>	
<b>Ion Nitriding .....</b>	<b>71</b>
History of Ion Nitriding .....	71
How the Ion Nitriding Process Works .....	72
Glow Discharge Characteristics .....	74
Process Control .....	75
Other Uses for Plasma Processing .....	76

What Happens in the Ion Nitriding Process .....	77
Gas Ratios .....	77
Reactions at the Steel Surface .....	78
Surface Stability .....	80
“Corner Effect” and Nitride Networking .....	80
Degradation of Surface Finish .....	81
Control of the Compound Zone .....	82
Process Gases .....	83
Process Parameters .....	84
Plasma Generation Philosophies .....	84
Advantages .....	85
Oxynitriding .....	86
<b>CHAPTER 9</b>	
<b>Ion Nitriding Equipment .....</b>	<b>89</b>
Cold-Wall Continuous dc Plasma Nitriding .....	89
Hot-Wall Pulsed dc Plasma Nitriding .....	94
Work Cooling after Plasma Nitriding .....	101
Other Considerations for Ion Nitriding Equipment and Processing .....	102
Summary: Advantages of Plasma Nitriding .....	107
<b>CHAPTER 10</b>	
<b>Nitriding in Fluidized Beds .....</b>	<b>111</b>
Heating Method .....	111
Nitriding in the Fluidized-Bed Furnace .....	114
Oxynitriding .....	116
Operating the Fluid Bed for Nitriding .....	117
Measurement of the Gas Dissociation .....	117
<b>CHAPTER 11</b>	
<b>Distortion .....</b>	<b>119</b>
Size Distortion .....	119
Shape Distortion .....	120
Control of Distortion .....	120
Distortion in Nitriding .....	121
Stock Removal Prior to Nitriding .....	122
Postmachining .....	122
<b>CHAPTER 12</b>	
<b>Steels For Nitriding .....</b>	<b>125</b>
Steel Selection Considerations .....	125
Requirements for a Nitriding Steel .....	127

Can Stainless Steels Be Nitrided? .....	129
Plasma Nitride Case Depths .....	136
<b>CHAPTER 13</b>	
<b>Control of the Process Gas in Plasma Conditions .....</b>	<b>139</b>
Analysis by Photo Spectrometry .....	139
Analysis by Mass Spectrometry .....	140
Difficulties Associated with Gas Analysis .....	141
Kinetic Studies .....	142
Conclusions .....	142
Appendix: The Role of Sputtering in Plasma Nitriding .....	142
Experimental Parameters .....	145
Results and Discussion .....	145
Conclusions .....	150
<b>CHAPTER 14</b>	
<b>Processing with Nitriding .....</b>	<b>153</b>
Hot-Work Tool Steels .....	153
High-Speed Steel Cutters .....	156
Gears .....	158
Pure Irons .....	159
Low-Alloy Steels .....	160
Maraging Steels .....	160
Higher Alloyed Steels .....	161
<b>CHAPTER 15</b>	
<b>Stop-Off Procedures for Selective Nitriding .....</b>	<b>163</b>
Methods for Selective Gas Nitriding .....	163
Methods for Selective Salt Bath Nitriding .....	164
Methods for Selective Ion Nitriding .....	164
<b>CHAPTER 16</b>	
<b>Examination of the Nitrided Case .....</b>	<b>167</b>
Hardness Testing .....	167
Etching of the Sample .....	177
Safety Precautions .....	179
Optical Light Microscopy .....	180
<b>CHAPTER 17</b>	
<b>Troubleshooting .....</b>	<b>185</b>
Gas Nitriding .....	185
Salt Bath Nitriding .....	187
Ion Nitriding .....	188

## **PART 2 Ferritic Nitrocarburizing**

### **CHAPTER 18**

#### **What Is Meant by Ferritic Nitrocarburizing? . . . . . 193**

Process Benefits . . . . .	193
Early History of Ferritic Nitrocarburizing . . . . .	195
Why Ferritic Nitrocarburize? . . . . .	198
Training . . . . .	199

### **CHAPTER 19**

#### **Salt Bath Ferritic Nitrocarburizing . . . . . 201**

Low-Cyanide Salt Bath Ferritic Nitrocarburizing . . . . .	202
Salt Bath Nitrocarburizing plus Post Treatment . . . . .	207
Kolene Nu-Tride Process . . . . .	208
Other Methods for Salt Bath Nitrocarburizing . . . . .	217

### **CHAPTER 20**

#### **Gaseous Ferritic Nitrocarburizing . . . . . 219**

Development of the Process . . . . .	219
Process Principles . . . . .	220
Gaseous Supply . . . . .	221
Properties of Gaseous Ferritic Nitrocarburized Components . . . . .	221
Industrial Applications . . . . .	222
Safety Considerations . . . . .	223
Appendix: Gaseous Nitrocarburizing—A Suitable Alternative for the Heat Treatment of Automotive Crankshafts . . . . .	223
Process Technique . . . . .	224
Typical Results . . . . .	227
Conclusions . . . . .	229

### **CHAPTER 21**

#### **Equipment for Ferritic Nitrocarburizing . . . . . 231**

Salt Bath Furnace Equipment . . . . .	231
Atmosphere Furnace Equipment . . . . .	233
Plasma-Assisted Furnace Equipment . . . . .	233
Ferritic Oxynitrocarburizing . . . . .	238

### **CHAPTER 22**

#### **Preparation for Ferritic Nitrocarburizing . . . . . 241**

Gas Ferritic Nitrocarburizing . . . . .	241
Enhanced Plasma Cleaning . . . . .	243
Conclusions . . . . .	243



<b>CHAPTER 23</b>	
<b>Evaluating the Process</b> .....	<b>245</b>
Case Depth Evaluation .....	245
Case Hardness .....	245
What If the Formed Case Has Low Hardness Values? .....	246
Corrosion .....	249
Distortion .....	249
<b>Index</b> .....	<b>251</b>

# Preface

Usually one seeks out a career, and, although I chose my career, I never realized how that choice was to impact my life. Although I chose heat treatment as a career, I did not make a conscious choice for nitriding; the subject of nitriding chose me.

In 1960, I was a final-year apprentice at DeHavilland Propellers, Lostock, United Kingdom. My project with a colleague was to evaluate the nitriding process for the DeHavilland Aircraft Group. It was at that time that the subject of nitriding chose me.

No matter where I have been, in the United Kingdom, South Africa, and now the United States, the subject of nitriding has followed me. Yet each time that I have researched the subject, I have found very few resource materials available. Unlike carburizing, for example, the subject of nitriding has had very few reference books or “cook books” written on the subject. A few books include a chapter or two on nitriding, and some conference papers are available in proceedings volumes. Up to now, however, there has not been a practical “how to” or “why to” book available on the subject.

In 1991, Rodney Allwood of the ASM Education Department urged me to present a one-day class on nitriding and somehow got me to agree. Despite feeling that I did not know enough to pull it off, to my surprise I was able to put together the notes for that course. This was the foundation for a book on nitriding. Mrs. Veronica Flint of the ASM Reference Publications Department challenged me to write such a book and, with her tremendous patience and persistence, forced me to find the time to put pen to paper.

Many books are dedicated to husbands, wives, children, or even dogs and cats (we have 8!). I can only dedicate this book to the young heat treater or metallurgist who is coming into the industry and to my colleagues who have, without exception, given me tremendous encouragement.

I want to remember my colleagues in South Africa, where to a large extent I learned my trade. Without that 20 years experience in South Africa, I could not do what I am doing today. I also want to remember my

colleagues at DeHavilland Propellers with whom I worked from 1956 to 1963, especially Wally Simms, our foreman (now deceased), who had the foresight and tenacity to fight to bring apprentices into the world of heat treatment and the DeHavilland Propellers (now British Aerospace) apprentice program; Bill Oddey, our heat treatment superintendent; Joe Aspinall, our metallurgist; and Alex Thexton, our chemist (who sold me his briefcase, which I still have), who is now somewhere in Australia. We will always be grateful to Paul Huber at Seco Warwick, who brought my family and me to the United States, and I thank my other colleagues there.

I would also like to dedicate this book to all those who have gone before me whose work in the field of nitriding has brought the process to maturity. I stand humbly before all of them and thank them for this opportunity.

For help and growth in the field of pulsed plasma nitriding, I give thanks to Dr. Siegfried Stramke in Germany. I especially would like to recognize Dr. Reinard Grun, who has put up with me, debated with me vigorously, and helped me learn the subject. He is a man whom I hold in great respect in the field of plasma physics.

I would like to acknowledge both George Totten and Maurice Howes for being mentors to me and for their very positive encouragement. Their support has been a privilege and continues to be a very rewarding experience.

I would like also to acknowledge Grace Pye. She always believed that I was capable of “going on my own.”

It took my wife Lynn to push me to the successful completion of this and other goals. She said to me, “You have a dream. Don’t keep dreaming; live the dream.” I could not have accomplished what I have without her patience, dedication, and support. This book could not have come together without her. She typed the original manuscript from my almost illegible handwriting and “chicken scratching.” Thank you for your support of me and for listening to my heat treatment and furnace stories. You really are a gift to me.

I also would like to recognize Valerie Sales, my mother-in-law (deceased) who interpreted my hand drawn sketches and turned them into illustrations, and Robin Maloney, who also helped with the illustrations. Thank you for being patient with me.

I would like to thank all the reviewers who gave freely of their time and efforts to reviewing the manuscript. I would also like to acknowledge the editorial contribution of Joseph R. Davis, Davis & Associates, who helped polish the chapters and prepare them for the production process.

## Purpose

Nitriding and ferritic nitrocarburizing in some ways can be seen as Cinderella processes in comparison to the other surface modification techniques, as it was around but often ignored. Though the beginning of nitriding can be traced to Adolph Machlet who applied for a patent in

1908 followed by Dr. Adolph Fry's patent in 1922, it was considered in many areas as "a new process" when Drs. Wehnheldt and Berghaus developed the ion nitride process in 1932. Many fine metallurgists have contributed to the growth in our knowledge of the subject of nitriding. I have attempted to bring together all of their work by capturing the accumulated knowledge about the process in a book that will contribute to the continued growth of the nitriding process. The bell has not struck midnight on the subject of nitriding, however. Its technology, the refinement of its control, and most of all, our understanding of the process and methods will continue to grow. I expect the technology will be adapted for application to nonferrous metals, such as aluminum and the refractory metals.

This book is intended to assist all of the practitioners of the technology in the day-to-day process operation of nitriding and ferritic nitrocarburizing. The contents are based upon my lifetime of experience and the knowledge gained from my peers. I hope that you, the reader, will gain some useful knowledge about the subject of nitriding and its derivative process techniques.

The chapters in this book address many important questions related to the nitriding process:

- Of the many nitriding methods, which one is for you? There are many different and valid reasons for choosing each relevant nitriding process technique, be it the reduction in thickness of the compound zone, the elimination of the compound zone, deep case formation, shallow case formation, high wear resistance, or corrosion resistance.
- Of the many different nitridable steels that can be chosen to manufacture the component in question, which one should be chosen?
- What hardness should the steel have prior to nitriding?
- How much surface stock should be removed prior to nitriding, and what problems are caused if the appropriate amount of stock is not removed?
- Which furnace should be used?
- How should the process be controlled?
- How should the steel be prepared?
- How should the steel be handled after nitriding?

Up to now, many of the answers have been determined mostly by personal experience ("what works for you") and possibly by the age old method of trial and error.

This book is a practical approach to the subject and not an academic or scientific work, although the subject is of a scientific nature. As with any other surface treatment process, such as carburizing or carbonitriding, the process of nitriding draws on many disciplines such as physics, chemistry, mechanical engineering, and electrical engineering. The "art" of nitriding

also requires individual ingenuity and dogged determination, tempered with patience to accomplish the process and produce a metallurgically sound part. The process cannot be guessed. It can offer many metallurgical benefits, but it needs to be managed and controlled in order to produce the desired and acceptable surface metallurgy. While it is a very simple process, there is little widespread understanding of it. This book is my attempt to help remedy this situation.

Over the years of heat treating and the years in the furnace industry, many examples of material selection for varied applications, process techniques, and failure evaluations have been both seen and experienced by myself and shared by others. My years as a consultant have exposed me to many industrial problems and process techniques. All of these experiences contributed significantly to this publication.

There are many, many steels available to the engineer who designs the part and chooses the steel. The problem that the engineer is faced with is "How do I source my information on steel and metallurgical processing techniques?" The simple answer (which may sound glib) is "With great difficulty." It is hoped that this publication will provide the reader, who might be a heat treater, metallurgist, or design engineer, with a clearer insight into the techniques, material selection, equipment, control, testing, evaluation, and trouble shooting.

The analogy of an iceberg can be used to consider the factors that influence process costs related to nitriding. Nine-tenths of an iceberg is below the surface of the water. The top one-tenth could be likened to representing both the material cost and the process cost. However, inappropriate material selection and a lack of understanding of process techniques (and their results) can greatly inflate these costs. The submerged nine-tenths of this iceberg is the labor cost, machining costs, equipment costs, and time that is lost if the part does not function properly and must be scrapped because of improper heat treatment procedures and material selection.

The combination of steel selection and choice of heat treatment can therefore "make or break the product." This book is offered to help you "make the product" and not "break the product."

David Pye  
Pye Metallurgical Consulting Inc.  
Meadville, PA

# CHAPTER 1

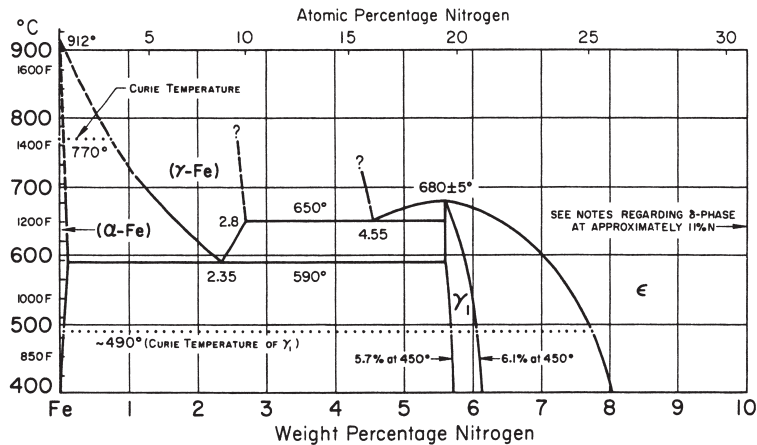
## An Introduction to Nitriding

THE NITRIDING PROCESS, first developed in the early 1900s, continues to play an important role in many industrial applications. Along with the derivative nitrocarburizing process, nitriding often is used in the manufacture of aircraft, bearings, automotive components, textile machinery, and turbine generation systems. Though wrapped in a bit of “alchemical mystery,” it remains the simplest of the case hardening techniques.

The secret of the nitriding process is that it does not require a phase change from ferrite to austenite, nor does it require a further change from austenite to martensite. In other words, the steel remains in the ferrite phase (or cementite, depending on alloy composition) during the complete procedure. This means that the molecular structure of the ferrite (body-centered cubic, or bcc, lattice) does not change its configuration or grow into the face-centered cubic (fcc) lattice characteristic of austenite, as occurs in more conventional methods such as carburizing. Furthermore, because only free cooling takes place, rather than rapid cooling or quenching, no subsequent transformation from austenite to martensite occurs. Again, there is no molecular size change and, more importantly, no dimensional change, only slight growth due to the volumetric change of the steel surface caused by the nitrogen diffusion. What can (and does) produce distortion are the induced surface stresses being released by the heat of the process, causing movement in the form of twisting and bending.

### Metallurgical Considerations and Process Requirements

Nitriding is a ferritic thermochemical method of diffusing nascent nitrogen into the surface of steels and cast irons. This diffusion process is based on the solubility of nitrogen in iron, as shown in the iron-nitrogen equilibrium diagram (Fig. 1).



**Fig. 1** Iron-nitrogen equilibrium diagram. The  $\delta$ -phase, not shown on this diagram, exists from 11.0 to 11.35% N at temperatures below approximately 500 °C (930 °F).

The solubility limit of nitrogen in iron is temperature dependent, and at 450 °C (840 °F) the iron-base alloy will absorb up to 5.7 to 6.1% of N. Beyond this, the surface phase formation on alloy steels tends to be predominantly epsilon ( $\epsilon$ ) phase. This is strongly influenced by the carbon content of the steel; the greater the carbon content, the more potential for the  $\epsilon$  phase to form. As the temperature is further increased to the gamma prime ( $\gamma'$ ) phase temperature at 490 °C (914 °F), the “window” or limit of solubility begins to decrease at a temperature of approximately 680 °C (1256 °F). The equilibrium diagram shows that control of the nitrogen diffusion is critical to process success (Fig. 1).

A number of operating process parameters must be adhered to and controlled in order to successfully carry out the nitriding process. Most of these parameters can be controlled with relatively simple instrumentation and methods. Examples of process parameters for gas nitriding include:

- Furnace temperature
- Process control (see discussion below)
- Time
- Gas flow
- Gas activity control
- Process chamber maintenance

All these factors help to reduce distortion during the process, with the exception of induced residual stresses. Another benefit of nitriding is that it acts as a stabilizing process by providing an additional temper to the processed steel.

Control of the process parameters is necessary to ensure formation of an acceptable metallurgical case. Without control, repeatability of the metallurgical requirements cannot be guaranteed.

**The process control factors** are those elements that will ensure a controlled process and acceptable results:

- Total surface area to be nitrided
- Process pressure inside the sealed process chamber
- Gas delivery pressure system into the sealed process chamber
- Exhaust gas system from the sealed process chamber
- Control of the preheat treatment procedure prior to nitriding, including stress relief and prehardening and tempering
- Quality and integrity of the steel surface precleaning prior to nitriding
- Consistent steel chemistry to maximize “nitridability”

## The Pioneering Work of Machlet

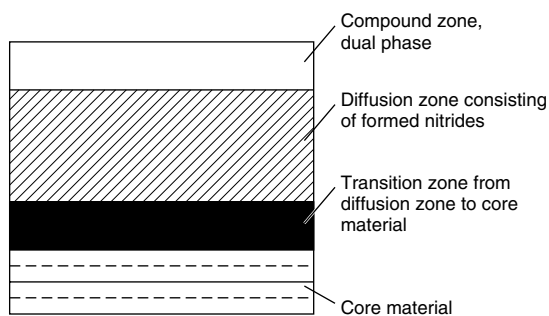
In the early years of the 20th century, Adolph Machlet worked as a metallurgical engineer for the American Gas Company in Elizabeth, NJ. He recognized that the surface hardening technique of carburizing led to distortion problems due to extended periods at elevated temperatures, followed by severe quenching into either water or oil.

Through experimentation, Machlet soon discovered that nitrogen was very soluble in iron. Nitrogen diffusion produced a relatively hard surface in simple plain irons or low-alloy steels and significantly improved corrosion resistance. This was accomplished without subjecting the steel to elevated temperatures and, more importantly, without cooling the steel rapidly to achieve a hard wearing surface. It could now cool freely within the process chamber, while still under the protection of the nitrogen-based atmosphere, thus reducing the risk of distortion yet still producing a hard, wear-resistant surface with good corrosion resistance.

Ammonia was decomposed, or “cracked,” by heat to liberate the nascent nitrogen necessary for the process. It was not long before Machlet realized that he needed to control the decomposition accurately. He did this by using hydrogen as a dilutant gas to reduce the amount of available nascent nitrogen, thus controlling to some extent the formed case metallurgy. His reasoning behind the control of the process gas was recognition of what is now known as the “white layer” or “compound zone.” Figure 2 shows a simple construction of the nitrided case. It should be noted that this schematic is not to scale.

The first patent for the development of the nitriding process was applied for in March 1908 in Elizabeth, NJ. The patent was finally approved in June 1913, some five years after the initial application. Machlet had been working for a number of years on the process prior to his patent application





**Fig. 2** Schematic of a typical nitrided case structure

and continued to develop both the new process and his understanding of the resulting process metallurgy. The patent was for “The Nitrogenization of Iron and Steel in an Ammonia Gas Atmosphere into which an Excess of Hydrogen Has Been Introduced” (Ref 1).

Although Machlet’s development and patenting of the new nitriding procedure was technologically important, his work remained largely unrecognized and faded into obscurity. Even today, very few nitriding practitioners know who he was and what he accomplished. Most metallurgists who are familiar with the nitriding process know the work of the German researcher Adolph Fry, who is recognized as the “father of nitriding.” While Fry’s work was more publicized and his methods were taught at many fine metallurgical academic institutions, it was Machlet who first pioneered the nitriding process.

## Parallel Work in Europe

**Adolph Fry.** In Germany, a parallel research program was under way at the Krupp Steel Works in Essen. This program was headed by Dr. Adolph Fry in 1906. Like Machlet, Fry recognized that nitrogen was very soluble in iron at an elevated temperature. He also recognized very early in his work that alloying elements strongly influenced metallurgical and performance results. Fry first applied for his patent in 1921, three years after the First World War ended. His patent was granted in March 1924 (Ref 2).

He used a technique similar to that of Machlet, where the nitrogen source had to be cracked by heat to liberate nitrogen for reaction and diffusion. Like Machlet, Fry used ammonia as the source gas, but he did not use hydrogen as a dilutant gas. Thus was developed the single-stage gas nitriding process as it is known today.

Fry then investigated the effects of alloying elements on surface hardness. He discovered that the nitriding process produced a high surface hardness only on steels containing chromium, molybdenum, aluminum,

vanadium, and tungsten, all of which form what are known as “stable nitrides.”

He also discovered the critical nature of process temperature in terms of case depth and surface metallurgy. Processing the steel at higher temperatures placed the surface at risk to form what is known today as “nitride networks” (a saturated solution of nitrogen in the immediate surface of the formed case).

Because steels with higher alloy contents were not readily available for nitriding, Fry became responsible for developing a group of steels for Krupp known as the “Nitalloy” group. These steels, specifically designed as nitriding steels, soon became internationally recognized. Even today the Nitalloy steels are specified.

**British Standard Nitriding Steels.** Shortly thereafter in the late 1920s, a company in Sheffield, England, also began work on developing a group of nitriding steels under the licensed guidance of Krupp Steels. These steels were also marketed under the brand name of Nitalloy. The company was Thomas Firth and John Brown Steelworks, more commonly known as Firth Brown Steels. The steels from Firth Brown were known as the “LK” group, designated by British Standard 970 as En 40 A, En 40 B, En 40 C, En 41 A, and En 41 B. Developed for nitriding applications, these were chromium-molybdenum steels (see Table 1 for chemical compositions). The En 41 series contained aluminum, which produced a much higher surface hardness after nitriding. Aluminum has a strong affinity for nitrogen, forming very hard aluminum nitrides that are quite stable in amounts up to 1.0% Al. Much above 1.0%, aluminum has no effect on the resultant nitriding hardness.

**Differences Between the U.S. and German Processes.** The principal differences between the process developed in the United States and that developed in Germany were that:

- The U.S. process used hydrogen as a dilutant gas to control the nitriding potential of both the gas and steel, which in turn controlled the final surface metallurgy.
- The Germans manipulated the process through alloying and improved on such aspects as core hardness and tensile strength.

**Table 1 British standard nitriding steels**

Designation(a)	Composition, %								
	C	Si	Mn	P	Cr	Mo	Ni	V	Al
En 40 A	0.20–0.35	0.10–0.3	0.40–0.55	0.05 max	2.90–4.00	0.60–0.80	0.40 max	...	...
En 40 B	0.20–0.30	0.10–0.35	0.40–0.65	0.05 max	2.90–3.50	0.40–0.70	0.40 max	0.10–0.30	...
En 40 C	0.30–0.50	0.10–0.35	0.40–0.80	0.05 max	2.90–3.50	0.70–1.20	0.40 max	0.10–0.30	...
En 41 A	0.25–0.35	0.10–0.35	0.65 max	0.05 max	1.40–1.80	0.10–0.25	0.40 max	...	0.90–1.30
En 41 B	0.25–0.45	0.10–0.35	0.65 max	0.05 max	1.40–1.80	0.10–0.25	0.40 max	...	0.90–1.30

(a) The international designation for En 40 A, B, and C is 31 CrMoV 9. En 41 A and B are designated 34 CrAlMo 5. max, maximum

Machlet's process was not widely accepted in the United States, as it was perceived to have little if any commercial value to U.S. industry. By contrast, the Germans exploited Fry's process in the early years following WWI. The German process enjoyed great success throughout Europe in the aircraft, textile, railroad, automotive, and machine tool industries.

During the mid to late 1920s, information about Fry's success began to filter through to American industrialists, prompting the Society of Manufacturing Engineers (SME) to take a strong interest in the German developments. This led to SME sending Dr. Zay Jeffries from Cleveland, OH, to Germany to visit Krupp Steel and Dr. Fry in 1926. It was at this meeting that Jeffries suggested to Fry that he attend the forthcoming annual SME conference in Chicago and present a paper on the process techniques and applications. Fry could not attend, so his friend and colleague Pierre Aubert made a presentation on his behalf. The presentation helped bring about commercialization of the process in the United States.

## Developments in the United States

Following the presentation of Fry's work at the 1927 SME conference, American metallurgists began exploring nitriding processing parameters and the effects of alloying on the nitriding response of steels. Some of the more notable studies are described later in this chapter.

**McQuaid and Ketcham.** Metallurgists H.W. McQuaid and W.J. Ketcham at the Timken Detroit Axle Company in Detroit, MI conducted a series of investigations to evaluate the new nitriding process. The studies were completed during a two-year period, which concluded with a presentation of their findings in 1928 (Ref 3). In general, the investigatory work focused on process temperature. The temperatures selected ranged from 540 to 650 °C (1000 to 1200 °F). The upper temperature was significantly lower than the temperatures employed by Machlet, which ranged from 480 to 980 °C (900 to 1800 °F). McQuaid and Ketcham concluded that higher nitriding temperatures had an effect on core hardness of alloy steels but little effect on the ability to nitride at those temperatures. They also found that higher process temperatures increased the risk of forming nitride networks, particularly at corners, due to the higher solubility of nitrogen in iron. When present, nitride networks cause premature failure at the steel surface by cracking and exfoliation.

McQuaid and Ketcham began an exhaustive series of investigations into the new process of nitriding as developed by Machlet and Fry. The studies included:

- Influence of temperature on both case formation and case depth
- Influence of alloying elements in the newly developed Nitralloy steels
- Influence of temperature on growth and distortion
- Influence of time on case depth distortion and growth

- Effects of the ammonia/hydrogen relationship and dilution by hydrogen
- Effects of slow and rapid cooling, such as controlled cooling in the process retort by the introduction of air and rapid cooling in water

They concluded that nitriding was much easier to control than carburizing. They also found that the corrosion properties of low-alloy and alloy steels were much improved while undergoing salt spray tests and that practically any steel can be nitrided, including plain carbon steel and pure iron.

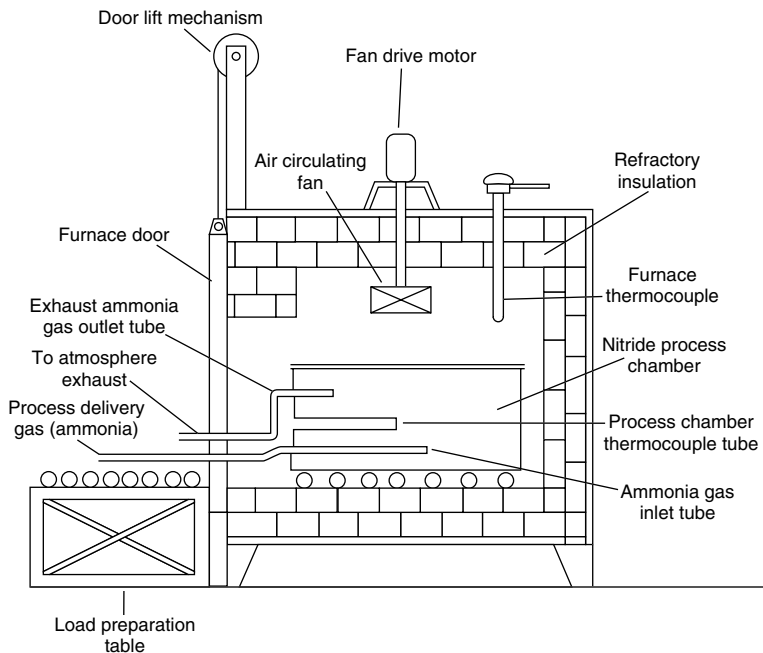
McQuaid and Ketcham were also the first early metallurgists to study the white layer or compound zone. They concluded that the “white structure” is composed of a nitride, either iron nitrides or a complex nitride layer, involving both iron and alloying elements. A further conclusion was that the white layer or compound zone was extremely hard but very brittle and that the layer should be avoided if possible (though no specific guidelines were offered). They also studied the effect of decarburization on nitrogen diffusion and the mechanical strength of the nitrided case. Their results showed that the steel to be nitrided should clearly be free of surface decarburization; otherwise, the nitrided surface will exfoliate and peel away from the substrate. They concluded that rough machining or some other operation to ensure complete removal of any decarburized surface layer should be performed before carrying out any nitride operation.

**Robert Sergeson** was associated with the research laboratories of the Central Alloy Steel Corporation in Canton, Ohio. He presented a paper in July 1929 that reviewed the work of Dr. Fry on steels containing chromium, aluminum, molybdenum, vanadium, and tungsten (Ref 4).

In unison with McQuaid and Ketcham, Sergeson concluded that process chemistry and process control in nitriding were much simpler than in carburizing. He also reviewed the effect of reheating on the case after nitriding and found that, with increasing temperature, case hardness stability was much better than for carburized and quenched alloy steel. He noted that the surface hardness value for a chromium-aluminum steel began to decrease at only 525 °C (1000 °F), and only slightly. He worked with many more steels and compared the effect of temperature on both nitrided alloy steels and carburized and quenched alloy steels, yielding similar results. The process equipment that he used for his nitriding experiments was not unlike many modern gas nitriding furnaces, despite their improved materials of construction and computerized process control (Fig. 3).

Sergeson examined the effect of both temperature and process gas flow on alloy steels and found that if the ammonia gas flow rate was increased at 510 °C (950 °F), little difference resulted in the immediate surface hardness and case depth. He also found that as process temperature increased, case depth increased but surface hardness decreased.

His work covered alloy steels with chromium and aluminum and investigated the effects of varying aluminum and nickel contents. He concluded that nickel was not a nitride-forming element, but that it tended to retard



**Fig. 3** Schematic of a simple ammonia gas nitriding furnace

the nascent nitrogen diffusion if present in significant quantities. More detailed information on alloying effects can be found in Chapter 12, “Steels for Nitriding.”

**V.O. Homerberg and J.P. Walsted.** Professor Homerberg was an associate professor of metallurgy at the Massachusetts Institute of Technology and consulted for the Ludlum Steel Company. Mr. Walsted was an instructor at the same university at the time that they presented their findings on the nitriding process (Ref 5). They studied the effects of temperature up to 750 °C (1400 °F), with its resulting increase in case depth but reduction of surface hardness. In addition, they studied the effects of decarburization on a nitrided surface and concluded that surfaces must be free of decarburization prior to nitriding.

They reviewed Fry’s process technique and the decomposition of ammonia under heat. Once again, the equipment used for their experiments was not unlike the furnaces of today (with the exception, of course, of improved engineering materials of construction and furnace aesthetics).

## Other Early Developments

**The Floe Process.** During the early days of nitriding process technology, a persistent phenomenon was observed: an ever-present white layer on the nitrided steel surface. The white layer was identified as a multi-

phase compound layer of  $\epsilon$  and  $\gamma'$  phases. Much recognition was given to Dr. Carl F. Floe of the Massachusetts Institute of Technology, who not only performed major research regarding identification of the layer and its characteristics, but also developed a process technique to reduce the layer thickness (Ref 6). Today that technique is known as the Floe process, or the two-stage process.

The Floe process is carried out as two distinct events. The first portion of the cycle is accomplished as a normal nitriding cycle at a temperature of about 500 °C (930 °F) with 15 to 30% dissociation of the ammonia (i.e., an atmosphere that contains 70 to 85% ammonia). This will produce the nitrogen-rich compound at the surface. Once the cycle is complete, the furnace temperature is increased to approximately 560 °C (1030 °F), with gas dissociation increased to 75 to 85% (i.e., an atmosphere that contains 15 to 25% ammonia). Very careful gas flow control of the ammonia and its dissociation must be maintained during the second stage of the process. The two-stage process is used to reduce formation of the compound zone only; it serves no other purpose.

**Salt Bath Nitriding.** Shortly after the development of gas nitriding, alternative methods of nitriding were sought. One such method was the use of molten salt as a nitrogen source. The salt bath process uses the principle of the decomposition of cyanide to cyanate and the liberation of nitrogen within the salt for diffusion into the steel surface. Salt bath nitriding is described in greater detail in Chapter 6.

**The ion, or plasma, nitriding process,** which is based on the familiar chemistry of gas nitriding, uses a plasma discharge of reaction gases both to heat the steel surface and to supply nitrogen ions for nitriding (see Chapter 8 for details). The process dates back to the work of a German physicist, Dr. Wehnheldt, who in 1932 developed what he called the “glow discharge” method of nitriding. Wehnheldt encountered severe problems with the control of the glow discharge. He then partnered with a Swiss physicist and entrepreneur Dr. Bernhard Berghaus. Together they stabilized the process and later formed the company Klockner Ionen GmbH, specializing in the manufacture of ion nitriding equipment. Although the ion nitriding process developed by Wehnheldt and Berghaus was used successfully by German industrialists during World War II, it was not used extensively because it was considered too complex, too expensive, and too unreliable to guarantee consistent and repeatable results. Not until the 1970s did the process gain industrial acceptance, particularly in Europe.

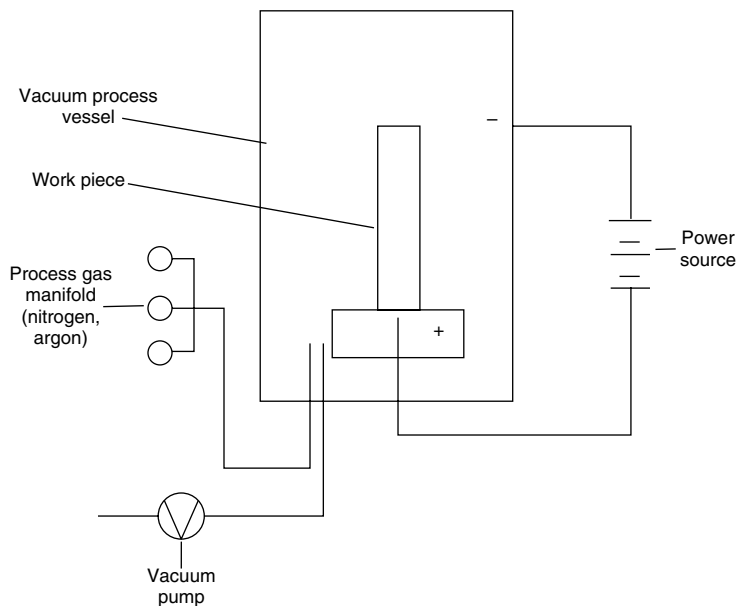
The significance of the glow discharge process was that it did not rely on the decomposition or cracking of a gas to liberate nascent nitrogen on the steel surface. The process was based on the ionization of a single molecular gas, which is nitrogen, and the liberation of nitrogen ions. The process offered a shorter cycle time due to the steel surface preparation and the gas ionization. Nitriding was not now restricted to steels that

required specific nitride-forming elements. Today ion nitriding is carried out on virtually all steels and cast irons as well as refractory metals, aluminum (not yet on a commercial basis), and sintered ferrous materials. A schematic of an ion nitriding furnace layout is shown in Fig. 4.

*Ion Nitriding Production in the U.S.* After WWII and through the late 1950s, the General Electric Company of Lynn, Massachusetts, operated a laboratory known as the Electromechanical Engineering and Physics Unit. Dr. Claude Jones and Dr. Derek Sturges, along with Stuart Martin, developed the first ion nitriding unit in the United States and applied the process to a variety of materials and parts. Their ion nitriding units met all normal nitriding standards and were accepted by the U.S. Navy. Summaries of the properties, applications, and advantages associated with the process were published in 1964 (Ref 7) and 1973 (Ref 8).

*Other Uses of Plasma Technology.* Ion nitriding is not the only heat treatment process that utilizes the glow discharge phenomenon. Simply put, if one uses the appropriate process gases and the proper furnace, the glow discharge technique can be applied to plasma-assisted ferritic nitrocarburizing, carburizing, carbonitriding, and chemical vapor deposition. These plasma-assisted processes are described in various publications, including *Heat Treating*, Volume 4 and *Surface Engineering*, Volume 5 of *ASM Handbook*.

Plasma technology is not new. One has only to observe the Northern Lights to witness a natural plasma. Lightning is also a natural plasma.



**Fig. 4** Simple schematic of the layout of an early plasma (ion) nitriding furnace system

Neon signs are a plasma glow, and “lumina storms” found in gift shops are just a few of the many examples of plasma technology at work.

## Current Status of Nitriding Technology

The success of any heat treatment is measured by hardness. However, hardness is relevant to the materials application and its mechanical requirements. Nitriding often is applied to low-alloy steels to “harden” the steel and improve corrosion resistance. In addition to conventional nitriding, the following processes have been developed:

- Oxynitride process, during which a controlled postoxidation treatment is carried out to further enhance the surface corrosion resistance
- Ferritic nitrocarburizing (a controlled process using nitrogen and carbon to enhance surface characteristics of low-alloy steels)
- Derivatives of the two previous processes
- Controlled nitriding, which is a further development of traditional gas nitriding in which all the process parameters are computer controlled

Nitriding has reached maturity and become an accepted, though sometimes misunderstood, process. Both the gas and salt systems have run an almost parallel course since the early part of the 20th century. The process has found its place in both low- and high-tech applications and is becoming better understood by process technicians, metallurgists, applications engineers, furnace designers, and academics.

Many developments in process techniques are being driven by environmental concerns and legislation. This has resulted in the introduction of more effective, efficient, and economical methods and equipment. Improvements can be seen in the development of gaseous methods, salt bath methods, fluidized-bed methods, and plasma processing techniques.



# Chapter 1: An Introduction to Nitriding

## References

1. A. Machlet, U.S. Patent 1,092,925, 24 June 1913
2. A. Fry, U.S. Patent 1,487,554, 18 March 1924
3. H.W. McQuaid and W.J. Ketcham, Some Practical Aspects of the Nitriding Process, reprinted from *Trans. ASST*, Vol 14, 1928, *Source Book on Nitriding*, P.M. Unterweiser and A.G. Gray, Ed., American Society for Metals, 1977, p 1–25
4. R. Sergeson, Investigation in Nitriding, reprinted from *American Society for Steel Treaters (ASST) Nitriding Symposium, 1929*, in *Source Book on Nitriding*, P.M. Unterweiser and A.G. Gray, Ed., American Society for Metals, 1977, p 26–55
5. V.O. Homerberg and J.P. Walsted, A Study of the Nitriding Process—Part I, reprinted from *American Society for Steel Treaters (ASST) Nitriding Symposium, 1929*, in *Source Book on Nitriding*, P.M. Unterweiser and A.G. Gray, Ed., American Society for Metals, 1977, p 56–99
6. C.F. Floe, A Study of the Nitriding Process Effect of Ammonia Dissociation on Case Depth and Structure, reprinted from *Trans. ASM*, Vol 32, 1944, *Source Book on Nitriding*, P.M. Unterweiser and A.G. Gray, Ed., American Society for Metals, 1977, p 144–171
7. C.K. Jones and S.W. Martin, Nitriding, Sintering and Brazing in Glow Discharge, *Met. Prog.*, Feb 1964, p 94–98
8. C.K. Jones, D.J. Sturges, and S.W. Martin, Glow-Discharge Nitriding in Production, reprinted from *Met. Prog.*, Dec 1973, *Source Book on Nitriding*, P.M. Unterweiser and A.G. Gray, Ed., American Society for Metals, 1977, p 186–187

## Chapter 2: Why Nitride?

### References

1. D. Pye, Diffusion Surface Treatment Techniques: A Review, *Ind. Heat.*, March 2001, p 39–44
2. K.G. Budinski, Diffusion Processes, *Surface Engineering for Wear Resistance*, Prentice Hall, 1988, p 78–119

# Chapter 3: How Does the Nitriding Process Work?

## References

1. J. Grosch, Heat Treatment With Gaseous Atmospheres, *Steel Heat Treatment Handbook*, G.E. Totten and M.A.W. Howes, Ed., Marcel Dekker, 1997, p 663–719
2. C.A. Stickels and C.M. Mack, Overview of Carburizing Processes and Modeling, *Carburizing: Processing and Performance*, G. Krauss, Ed., ASM International, 1989, p 1–9
3. B. Edenhofer and H. Pfau, Self-Adaptive Carbon Profile Regulation in Carburizing, *Heat Treatment and Surface Engineering: New Technology and Practical Applications*, G. Krauss, Ed., ASM International, 1988, p 85–88
4. G.J. Tymowski, W.K. Liliental, and C.D. Morawski, Take the Guesswork out of Nitriding, *Advanced Materials & Processes*, Dec 1994, p 52–54

# Chapter 4: Microstructures of Nitrided Iron and Steel

## References

1. D. Pye, Nitriding Techniques and Methods, *Steel Heat Treatment Handbook*, G.E. Totten and M.A.H. Howes, Ed., Marcel Dekker, 1997, p 721–764
2. M.A.J. Somers and E.J. Mittemeijer, *Härt.-Tech. Mitt.*, 46: 375, 1991
3. T. Bell, B.J. Birch, V. Korotchenko, and S.P. Evans, “Controlled Nitriding in Ammonia-Hydrogen Mixtures,” presented as Heat Treatment 1973 (United Kingdom), The Metals Society
4. F.T. Hoffman and P. Mayr, Nitriding and Nitrocarburizing, *Friction, Lubrication, and Wear Technology*, Vol 18, *ASM Handbook*, ASM International, 1992, p 878–883
5. C.E. Floe, A Study of the Nitriding Process Effect of Ammonia Dissociation on Case Depth and Structure, *ASM Conference Transactions*, 1944

# Chapter 5: Furnace Equipment and Control Systems

## References

1. Gas Nitriding, *Heat Treating, Cleaning, and Finishing*, Vol 2, 8th ed., *Metals Handbook*, American Society for Metals, 1964, p 149–163
2. “Safety Requirements for the Storage and Handling of Anhydrous Ammonia,” ANSI K61.1, American National Standards Institute
3. G. Totten, G.R. Garsombke, D. Pye, and R.W. Reynoldson, Heat Treatment Equipment, *Steel Heat Treatment Handbook*, G.E. Totten and M.A.H. Howes, Ed., Marcel Dekker, 1997, p 293–482
4. D. Pye, “Understanding Nitriding and Ferritic Nitro Carburizing,” course notes, Pye Metallurgical Consulting
5. J. Grosch, Heat Treatment with Gaseous Atmospheres, *Steel Heat Treatment Handbook*, G.E. Totten and M.A.H. Howes, Ed., Marcel Dekker, 1997, p 663–720
6. V.O. Homerberg and J.O. Walstead, A Study of the Nitriding Process: Part 1, *ASST Nitriding Symposium*, American Society for Steel Treaters, 1929
7. L. Sproge and S. Midea, Analysis and Control of Nitriding and Nitrocarburizing Atmospheres, *Carburizing and Nitriding with Atmospheres*, ASM International, 1995, p 303–307
8. B. Edenhofer and J.W. Bouwman, Vacuum Heat Treatment, *Steel Heat Treatment Handbook*, G.E. Totten and M.A.H. Howes, Ed., Marcel Dekker, 1997, p 483–526
9. Marathon Sensors Inc., Cincinnati, OH, [www.marathonsensors.com](http://www.marathonsensors.com)

# Chapter 6: Salt Bath Nitriding

## References

1. Liquid Nitriding, *Heat Treating*, Vol 4, ASM Handbook, ASM International, 1991, p 410–419
2. J. Easterday, *Salt Bath Nitriding Proceedings* (Detroit), Kolene Corp., Oct 1995
3. *Cassel Manual of Heat Treatment and Case Hardening*, 7th ed., Imperial Chemical Industries, Ltd., Jan 1964

# Chapter 7: Control of the Compound Zone or White Layer

## References

1. M.A.J. Somers and E.J. Mittemeijer, *Härterei-Technische Mitteilungen*, Vol 47(No. 5), 1992
2. T. Bell *et al.*, Controlled Nitriding in Ammonia-Hydrogen Mixtures, *Heat Treatment '73*, The Metals Society, Dec 1973, reprinted in *Source Book on Nitriding*, American Society for Metals, 1977, p 259–265
3. D.B. Clayton and K. Sachs, Reduction of “White Layer” on the Surface of Nitrided Components, *Heat Treatment '76*, The Metals Society, May 1976, reprinted in *Source Book on Nitriding*, American Society for Metals, 1977, p 242–247
4. D.A. Dashfield, Nitriding Problems and Their Solutions, *Met. Prog.*, Feb 1964, p 88–93
5. B.J. Lightfoot and D.H. Jack, Kinetics of Nitriding With and Without White-Layer Formation, *Heat Treatment '73*, The Metals Society, Dec 1973, reprinted in *Source Book on Nitriding*, American Society for Metals, 1977, p 248–254
6. W.K. Liliental, G.J. Tymowski, and C.D. Morawski, Typical Nitriding Faults and Their Prevention Through the Controlled Gas Nitriding Process, *Ind. Heat.*, Jan 1995, p 39–44
7. F.E. Harris, Case Depth, *Met. Prog.*, Aug 1943, p 265–272

# Chapter 8: Ion Nitriding

## References

1. F. Hombeck, Forward View of Ion Nitriding Applications, *Ion Nitriding*, T. Spalvins, Ed., ASM International, 1987, p 169–178
2. C.K. Jones, D.J. Sturges, and S.W. Martin, Glow Discharge Nitriding in Production, *Met. Prog.*, Dec 1973, reprinted in *Source Book on Nitriding*, P.M. Unterweiser and A.G. Gray, Ed., American Society for Metals, 1977, p 186–187
3. *Heat Treating*, Vol 4, ASM Handbook, ASM International, 1991



# Chapter 9: Ion Nitriding Equipment

## References

1. D. Pye, Nitriding Techniques and Methods, *Steel Heat Treatment Handbook*, G.E. Totten and M.A.W. Howes, Ed., Marcel Dekker, 1997, p 744
2. N. Harris, Oil Sealed Mechanical Pumps, *Modern Vacuum Practice*, McGraw Hill, 1989, p 71
3. N. Harris, Oil Sealed Mechanical Pumps, *Modern Vacuum Practice*, McGraw Hill, 1989, p 72
4. D. Pye, “Practical Nitriding” course notes, 1986
5. R. Gruen, Pulse Plasma Treatment: The Innovation for Ion Nitriding, *Ion Nitriding Proceedings*, ASM International, 1987, p 143–147

# Chapter 10: Nitriding in Fluidized Beds

## References

1. R.W. Reynoldson, Theory and Practice, *Heat Treatment in Fluidized Bed Furnaces*, ASM International, 1993, p 3–9
2. C. Dawes and D.F. Tranter, Nitrotec Surface Treatment Technology, *Heat Treat. Met.*, Vol 12(No. 3), 1985, p 70–76

# Chapter 11: Distortion

## References

1. G.E. Totten and M.A.H. Howes, Distortion of Heat-Treated Components, *Steel Heat Treatment Handbook*, Marcel Dekker, Inc., 1997, p 251–292
2. G.E. Totten, G.E. Bates, and N.A. Clinton, Residual Stress, Distortion, and Cracking, *Handbook of Quenchants and Quenching Technology*, ASM International, 1993
3. What Is Heat Treatment? Classification and Commercial Importance, *Practical Heat Treating*, H.E. Boyer, Ed., ASM International, 1984
4. Grinding and Other Abrasive Processes, *Machinery's Handbook*, 24th ed., E. Oberg, F.E. Jones, and H.L. Ryffel, Ed., Industrial Press, 1992

# Chapter 12: Steels For Nitriding

## References

1. D. Pye, Nitriding Techniques and Methods, *Steel Heat Treatment Handbook*, G.E. Totten and M.A.H. Howes, Ed., Marcel Dekker, Inc., 1997, p 721–764
2. A. Fry, The Nitriding Process, *ASST Nitriding Symposium*, 1929, reprinted in *Source Book on Nitriding*, American Society for Metals, 1977, p 99–106
3. K.-E. Thelning, Nitriding, *Steel and Its Heat Treatment*, 2nd ed., Butterworths, 1984, p 492–544
4. D. Pye, Pulsed Plasma Ion Nitriding and Its Effects on the Surface Modification of Stainless Steels AISI 422, 440A and 630, *Surface Modification Technologies VI*, T.S. Sudarshan and J.F. Braza, Ed., Minerals, Metals & Materials Society, 1993, p 195–216
5. F.E. Harris, Case Depth, *Metals Progress*, Vol 44, Aug 1944, p 265

# Chapter 13: Control of the Process Gas in Plasma Conditions

## References

1. D. Pye, A Review of the Gas Species Activity and Control of Pulsed Plasma Technology during the Nitriding, Carburizing, and Carbonitriding Processes, *1995 Carburizing and Nitriding with Atmospheres*, ASM International, 1995, p 347–351
2. A. Szabo, Best Surface GmbH, personal communication, June 2001
3. M.A.J. Somers and E.J. Mittemeijer, Oxidschichtbildung und Gleichzeitige Gefügeänderung der Verbindungsschicht (Oxide-Layer Formation and Simultaneous Microstructural Changes in the Compound Layer), *Härt. Tech. Mitt.*, Vol 47(No. 3), May-June 1992, p 169–174 doi: [10.1515/htm-1992-470313](https://doi.org/10.1515/htm-1992-470313)
4. E. Roliński and G. Sharp, Effect of Sputtering on Kinetics of Compound Zone Formation in the Plasma Nitriding of 3% Cr-Mo-V Steel, *J. Mater. Eng. Perform.*, Vol 10(No. 4), Aug 2001, p 444–448 doi: [10.1361/105994901770344863](https://doi.org/10.1361/105994901770344863)
5. H. Knüppel, K. Brotzman, and F. Elserhard, *Stahl Eisen*, 1958, Vol 75(No. 26), p 1871
6. K. Keller, Schichtaufbau Glimmnitrierter Eisenwerkstoffe, *Härt. Tech. Mitt.*, Vol 26, 1971, p 120 (in German) doi: [10.1515/htm-1971-260207](https://doi.org/10.1515/htm-1971-260207)
7. M. Hudis, *J. Appl. Phys.*, Vol 44, 1973, p 1489 doi: [10.1063/1.1662398](https://doi.org/10.1063/1.1662398)
8. B. Edenhofer, *Heat Treatment '76*, Proc. 16th International Heat Treatment Conf., Stratford-upon-Avon, 6–7 May 1976, The Metals Society, 1976, p 7
9. B. Edenhofer, *Proc. Heat Treatment '79*, Birmingham, 22–24 May 1979, TMS/ASM, 1979, p 52
10. G.G. Tibbets, *J. Appl. Phys.*, Vol 44, 1974, p 5072
11. E. Roliński, Ph.D. dissertation, Warsaw University of Technology, 1978 (in Polish)
12. T. Karpinski and E. Roliński, *Proc. 8th National Conf. Heat Treatment*, Bratislava, Slovakia, 1978, Dom Techniky ČSVTS, p 27 (in German)

Preview for: *Practical Nitriding and Ferritic Nitrocarburizing*, by David Pye, ASM International, 2003  
Full digital book available at <https://doi.org/10.31399/asm.tb.pnfn.9781627083508>

13. A. Marciniak, "Processes of the Cathode Heating and Nitriding under a Glow Discharge Condition," Ph.D. dissertation, Warsaw University of Technology, 1983 (in Polish)
14. A. Marciniak, *Surf. Eng.*, Vol 1, 1985, p 283 doi: [10.1179/sur.1985.1.4.283](https://doi.org/10.1179/sur.1985.1.4.283)
15. A. Wells and I. Le R. Strydom, *Surf. Eng.*, Vol 2, 1986, p 283
16. A. Wells and I. Le R. Strydom, *Surf. Eng.*, Vol 4, 1988, p 55 doi: [10.1179/sur.1988.4.1.55](https://doi.org/10.1179/sur.1988.4.1.55)
17. T. Lampe, S. Eisenberg, and G. Laudien, *Surf. Eng.*, Vol 9, 1993, p 69 doi: [10.1179/sur.1993.9.1.69](https://doi.org/10.1179/sur.1993.9.1.69)
18. H. Michel, T. Czerwiec, M. Gantois, D. Ablitzer, and A. Ricard, *Surf. Coating Technol.*, Vol 72, 1995, p 103 doi: [10.1016/0257-8972\(94\)02339-5](https://doi.org/10.1016/0257-8972(94)02339-5)
19. Y. Sun and T. Bell, *Mater. Sci. Eng.*, Vol A224, 1997, p 33
20. TableCurve<sup>®</sup>2D, Version 4, SPSS Inc., 1998
21. E. Roliński, F. LeClaire, D. Clubine, G. Sharp, D. Boyer, and R. Notman, *J. Mater. Eng. Performance*, Vol 9, 2000, p 457 doi: [10.1361/105994900770345863](https://doi.org/10.1361/105994900770345863)
22. Y. Sun, N. Lou, and T. Bell, *Surf. Eng.*, Vol 10, 1994, p 279 doi: [10.1179/sur.1994.10.4.279](https://doi.org/10.1179/sur.1994.10.4.279)
23. J. Zysk, *Metaloznastwo I Obrobka Ciepna*, No. 6, 1973 (in Polish)
24. B. Edenhofer, Ibsen Industries International GmbH, private communication, Aug 2000
25. J.G. Conybear and B. Edenhofer, *Proc. 6th Int. Conf. Heat Treatment of Materials*, Chicago, IL, 28–30 Sept 1988
26. L. Maldzinski, W. Liliental, G. Tymowski, and J. Tacikowski, "New Possibilities of Controlling the Gas Nitriding Process by Utilizing Simulation of Growth Kinetics of Nitride Layers," presented at the 18th ASM Conf., Rosemont, IL, Oct 1998 doi: [10.1179/026708499101516740](https://doi.org/10.1179/026708499101516740)

# Chapter 14: Processing with Nitriding

## References

1. D. Pye, “Practical Nitriding” course notes, Pye Metallurgical Consulting, 1997
2. D. Hawkins, Fe-N (Iron-Nitrogen) Phase Diagram, *Metallography, Structures and Phase Diagrams*, Vol 8, *Metals Handbook*, 8th ed., American Society for Metals, 1973, p 303
3. J.B. Seabrook, Working with Maraging Steels for Nitriding, *Met. Prog.*, July 1963, p 78–80

# Chapter 16: Examination of the Nitrided Case

## References

1. N.I. Sax, *Handbook of Dangerous Materials*, Reinhold Publishing, 1951
2. H.B. Elkins, *Chemistry of Industrial Toxicology*, John Wiley & Sons, 1959

## Selected References

- B.L. Bramfitt and A.O. Benschoter, *Metallographer's Guide: Practices and Procedures for Irons and Steels*, ASM International, 2002 doi: [10.31399/asm.tb.mgppis.9781627082587](https://doi.org/10.31399/asm.tb.mgppis.9781627082587)
- C. Johnson, "Metallography, Principles & Procedures," Leco Corporation, St. Joseph, MI



# Chapter 18: What Is Meant by Ferritic Nitrocarburizing?

## References

1. T. Bell, Ferritic Nitrocarburizing, *Met. Eng. Q.*, May 1976, reprinted in *Source Book on Nitriding*, P.M. Unterweiser and A.G. Gray, Ed., American Society for Metals, 1977, p 266–278
2. *The Cassel Manual of Heat-Treatment and Case Hardening*, 7th ed., Imperial Chemical Industries Ltd., United Kingdom, 1964
3. Joseph Lucas Ltd., United Kingdom, British Patent 1,011,580
4. B. Prenosil, Structures of Layers Produced by Bath Nitriding and by Nitriding in Ammonia Atmospheres with Hydrocarbon Additions, *Härt.-Tech. Mitt.*, Vol 20(No. 1), April 1965, p 41–49 (BISI translation 4720)
5. J.R. Davis, Ed., *Surface Engineering for Corrosion and Wear Resistance*, ASM International, 2001, p 191 doi: [10.31399/asm.tb.secwr.9781627083157](https://doi.org/10.31399/asm.tb.secwr.9781627083157)

# Chapter 19: Salt Bath Ferritic Nitrocarburizing

## References

1. T. Bell, Ferritic Nitrocarburizing, *Met. Eng. Q.*, May 1976, reprinted in *Source Book on Nitriding*, P.M. Unterweiser and A.G. Gray, Ed., American Society for Metals, 1977, p 266–278
2. *Cassel Manual of Heat Treatment and Case Hardening*, 7th ed., Imperial Industries Ltd., United Kingdom, 1964
3. B. Prenosil, *Hutn. Listy*, 1962, Vol 17(No. 6), p 414–424 (available as translation BLL RTS 9520)
4. R. Willing-Lepenies and C. Faulkner, “New Developments in Salt Bath Nitrocarburizing,” product literature, Houghton Dufferrit, Valley Forge, PA
5. G. Wahl and S. Alwart, *Improvement of Tribological Properties through Nitrocarburizing*
6. Nitrocarburizing, *Surface Hardening of Steels: Understanding the Basics*, J.R. Davis, Ed., ASM International, 2002, p 195–212
7. R. Willing-Lepenies and C. Faulkner, “Melonite-QPQ-Process,” product literature, Houghton-Dufferrit, Valley Forge, PA, p 9
8. “The Theory and Practice of Molten Salt Bath Nitriding,” product literature, Kolene Corporation, Detroit
9. J.R. Easterday, “The Kolene QPQ Process,” product literature, Kolene Corporation, Detroit
10. J.R. Easterday, “Salt Bath Ferritic Nitrocarburizing,” product literature, Kolene Corporation, Detroit
11. *Tool Materials*, ASM Specialty Handbook, ASM International, 1995, p 228
12. J.R. Easterday, Expanding the Temperature Range for Salt Bath Nitrocarburizing, *Ind. Heat.*, Vol 70(No. 1), Jan 2003, p 34–38
13. J.R. Easterday, “Influence of SBN on Corrosion Resistance of Stainless Steels,” product literature, Kolene Corporation, Detroit

# Chapter 20: Gaseous Ferritic Nitrocarburizing

## References

1. T. Bell, Gaseous and Plasma Nitrocarburizing, *Heat Treating*, Vol 4, *ASM Handbook*, ASM International, 1991, p 425–436
2. T. Bell, Ferritic Nitrocarburizing, *Met. Eng. Q.*, May 1976, reprinted in *Source Book on Nitriding*, P.M. Unterweiser and A.G. Gray, Ed., American Society for Metals, 1977, p 266–278
3. J. Grosch, Heat Treatment with Gaseous Atmospheres, *Steel Heat Treatment Handbook*, G.E. Totten and M.A.H. Howes, Ed., Marcel Dekker, 1997, p 663–719
4. T. Bell, Ferritic Nitrocarburising, *Heat Treatment of Metals*, Vol 2, 1975, p 39–49
5. C. Dawes, D.F. Tranter, and C.G. Smith, Reappraisal of Nitrocarburising and Nitriding When Applied to Design and Manufacture of Non-Alloy Steel Automobile Components, *Heat Treatment '79*, Book No. 261, The Metals Society, 1980, p 60–68; also in *Metals Technology*, Vol 6 (Part 9), Sept. 1979, p 345–353 and *Journal of Heat Treating*, Vol 1(No. 2), Dec. 1979, p 30–42
6. W.I. James, Practical Experience with Nitrogen-Based Nitrocarburising, *Heat Treatment of Metals*, Vol 6, 1979, p 13–15
7. K. Bennett, Advances in Nitrogen-Based Nitrocarburising, *Proceedings of the 18th International Conference on Heat Treatment of Materials* (Detroit, 6–8 May 1980), p 146–160

# Chapter 21: Equipment for Ferritic Nitrocarburizing

## References

1. *Heat-Treating, Cleaning, and Finishing*, Vol 2, *Metals Handbook*, 8th ed., p 98

# Chapter 22: Preparation for Ferritic Nitrocarburizing

## References

1. “Enhanced Plasma Cleaning,” R. Grün Plateg GmbH, personal correspondence
2. “Pulsed Plasma Nitriding,” R. Grün, *Plateg GmbH, personal correspondence*

# Chapter 23: Evaluating the Process

## References

1. G.E. Totten, C.E. Bates, and N.A. Clinton, *Handbook of Quenchants and Quenching Technology*, ASM International, 1993, p 443
2. G.E. Totten and M.A.H. Howes, Chapter 5, in *Steel Heat Treatment Handbook*, Marcel Dekker, 1997, p 251–292