

Expansion of *CTG18.1* Trinucleotide Repeat in *TCF4* Is a Potent Driver of Fuchs' Corneal Dystrophy

Shivakumar Vasanth,¹ Allen O. Eghrari,¹ Briana C. Gapsis,¹ Jiangxia Wang,² Nicolas F. Haller,¹ Walter J. Stark,¹ Nicholas Katsanis,³ S. Amer Riazuddin,¹ and John D. Gottsch¹

¹The Wilmer Eye Institute, Johns Hopkins University School of Medicine, Baltimore, Maryland, United States

²Department of Biostatistics, Bloomberg School of Public Health, Johns Hopkins University, Baltimore, Maryland, United States

³Center for Human Disease Modeling, Duke University, Durham, North Carolina, United States

Correspondence: John D. Gottsch, The Wilmer Eye Institute, Johns Hopkins University School of Medicine, 600 N Wolfe Street, Woods #375, Baltimore, MD 21287, USA; jgottsch@jhmi.edu.

Submitted: November 21, 2014

Accepted: March 22, 2015

Citation: Vasanth S, Eghrari AO, Gapsis BC, et al. Expansion of *CTG18.1* trinucleotide repeat in *TCF4* is a potent driver of Fuchs' corneal dystrophy. *Invest Ophthalmol Vis Sci*. 2015;56:4531–4536. DOI:10.1167/iov.14-16122

PURPOSE. To analyze the expansion of *CTG18.1* allele associated with Fuchs' corneal dystrophy (FCD) in our large cohort of late-onset FCD cases.

METHODS. CTG repeats within the *CTG18.1* allele were estimated by short tandem repeat (STR) and triplet primed PCR (TP-PCR) assays in our large cohort of 574 late-onset FCD cases and 354 controls and large multigeneration familial cases. The age versus severity relationships were analyzed in FCD genotypes, namely, nonexpanded (N/N), monoallelic expansion (N/X), and biallelic expansion (X/X) with $N \leq 40$ CTG monomers. The threshold for causality conferred by an expansion of *CTG18.1* was identified by excluding the population of FCD cases who harbored an allele length equivalent to the maximum CTG monomers observed in the controls.

RESULTS. The expanded *CTG18.1* for $(CTG)_{n>40}$ showed a strong association ($P = 1.56 \times 10^{-82}$) with FCD. Importantly, we delineated the threshold of expansion to 103 CTG repeats above which the allele confers causality in 17.8% of FCD cases. Regression analyses demonstrated a significant correlation between disease severity and age in individuals who harbor either a monoallelic expansion or a biallelic expansion at $(CTG)_{n>40}$. These analyses helped predict FCD in two previously unaffected individuals based on their *CTG18.1* expansion genotype.

CONCLUSIONS. A monoallelic expansion of *CTG18.1* contributes to increased disease severity and is causal at $(CTG)_{n>103}$, whereas a biallelic expansion is sufficient to be causal for FCD at $(CTG)_{n>40}$. This study highlights the largest contributory causal allele for FCD.

Keywords: Fuchs' corneal dystrophy, *TCF4*, *CTG18.1*, repeat expansion, corneal endothelium

Fuchs' corneal dystrophy (FCD; Mendelian Inheritance in Man [MIM] 136800) is characterized by a progressive decrease in visual acuity due to dysfunctional corneal endothelium.¹ The occurrence of FCD has been estimated at 4% of the population above the age of 40.² Pathological changes include thickening of Descemet membrane and formation of collagenous excrescences known as guttae.^{3,4} Fuchs' corneal dystrophy accounts for a significant fraction of corneal transplantation and endothelial keratoplasty (EK) performed in the United States.⁵

Fuchs' corneal dystrophy is genetically heterogeneous and is inherited as an autosomal dominant trait with variable penetrance and expressivity. Linkage in large, multigenerational families has mapped four FCD loci (*FCD1-4*, on chromosomes 13, 18, 5, and 9, respectively).⁶⁻⁹ Moreover, a combination of candidate gene studies and positional cloning has implicated mutations in *SLC4A11*, *TCF8*, *LOXHD1*, and *AGBL1* in the pathogenesis of the disease.^{6,10-14} Baratz and colleagues¹⁵ performed a genome-wide association scan and identified a *TCF4* (chromosome 18) intronic single nucleotide polymorphism (SNP), rs613872, that was associated significantly with late-onset FCD; this association has been replicated in multiple cohorts.¹⁶⁻¹⁸ Recently, Wieben and colleagues¹⁹ reported that expansion of trinucleotide CTG repeat within *TCF4*, in linkage disequilibrium to rs613872, showed a significant association

with late-onset FCD. Mootha and colleagues²⁰ likewise replicated this association in multiple ethnic populations.

Here, we have analyzed the CTG trinucleotide repeat expansion in *TCF4* within our large cohort of both familial and sporadic cases of late-onset FCD to confirm the association and delineate the threshold of expansion for causality. We have utilized this large data set to perform regression analysis of age versus severity stratified by genotypes (no expansion, a monoallelic, or a biallelic expansion). These analyses helped predict FCD in two individuals who were previously unaffected, thereby suggesting a biallelic expansion as a possible genomic marker for FCD.

METHODS

Study Participants

We recruited a large cohort of 574 FCD patients. All individuals underwent a thorough ophthalmic evaluation including slit-lamp biomicroscopy. Grading of phenotype severity was based on the scale proposed by Krachmer and colleagues,⁴ but modified as described previously.²¹ These modifications, summarized in Supplementary Table S1, reflect findings that corneal thickness and edema gradually increase throughout all stages of severity,²² and that subclinical disease (5–11 central

guttae) is itself a stage that correlates with FCD-associated genetic variation.²¹ All study participants consented to the study protocol approved by the Joint Committee on Clinical Investigation at the Johns Hopkins University School of Medicine and in accordance with the Declaration of Helsinki and Health Insurance Portability and Accountability Act regulations. Written informed consent was obtained from all individuals prior to enrollment. All participants provided a blood sample (10–20 mL) and genomic DNAs were extracted from white blood cells using the Qiagen DNeasy Blood and Tissue kit (Qiagen, Valencia, CA, USA).

Genotyping of *CTG18.1* Allele

The trinucleotide repeats in intron 3 of *TCF4* were determined by a previously published STR assay by Wieben et al.¹⁹ The 5' forward primer (P1) was labeled with 6-carboxyfluorescein (FAM) (5' CAGATGAGTTTGGTGTAAGATG 3'), and unlabeled reverse primer (P2) (5' TTGCAGCCCCTTCTGCTTGT 3') was used in PCR amplification carried out with Platinum PCR Supermix High Fidelity (Life Technologies, Carlsbad, CA, USA) according to the cycling conditions described by Wieben et al.¹⁹ Triplet repeat primed PCR (TP-PCR) reactions were carried out with modification to the published protocol by Mootha et al.²⁰ Briefly, 1 μ L genomic DNA was mixed with 14 μ L Platinum PCR Supermix High Fidelity (Life Technologies) and 250 nM final concentrations of P1 and reverse primer (P4) (5' TACGCATCCCAGTTTGAGACGCAGCAGCAGCAGCAG 3') and cycled at 95°C for 5 minutes; 95°C for 30 seconds, 58°C for 1 minute, 68°C for 4 minutes \times 20 cycles; 68°C for 10 minutes. An additional 15 seconds was introduced in each of the 8th to 20th cycles. Two microliters of PCR product were used as a template for a second PCR reaction by mixing with 13 μ L Platinum PCR Supermix with 250 nM final concentration of 6-FAM-labeled forward primer and unlabeled reverse primer (P3) (5' TACGCATCCCAGTTTGAGACG 3'). The reverse primer of the second PCR step binds to the adapter sequence on P4 that is nonhomologous to human genomic DNA. The second PCR was cycled at 95°C for 5 minutes; 95°C for 30 seconds, 62°C for 1 minute, 68°C for 6 minutes \times 25 cycles; 68°C for 10 minutes. Polymerase chain reaction products were resolved in ABI3730XL DNA Analyzer (Applied Biosystems, Inc., Foster City, CA, USA) with GeneScan 500 LIZ dye size standard mix (Life Technologies, Carlsbad, CA, USA). The results were analyzed using Gene Mapper (Applied Biosystems, Inc.).

Statistical Analysis

χ^2 and Fisher's exact tests were used to examine whether genotypes were associated with sex and patient case-control status. The relationship between disease severity and age was examined using a linear regression model stratified by genotype. Nonparametric Kruskal-Wallis rank testing was used to compare affection between genotypes and to compare real-time PCR data between the *CTG18.1* genotypes. The mean age from different groups was compared using two-sample *t*-tests with unequal variances. All analyses were performed using STATA version 12.0 (Stata Statistical Software, College Station, TX, USA).

RESULTS

To understand the genetic basis of FCD, we have recruited a large cohort of both familial and sporadic cases of late-onset FCD. Our cohort of 574 cases comprised 372 females and 202 males, consistent with previous reports of increased FCD

occurrence in females. The mean age and the Krachmer grading did not differ significantly between males and females (Supplementary Table S2).

Association of *CTG18.1* With FCD

To determine the contribution of the *CTG18.1* expansion in our cohort, we genotyped all 574 late-onset FCD cases representing one affected individual per family, as well as 354 ethnically matched control subjects consisting of individuals above the age of 60 without clinical signs of FCD by utilizing an established PCR-based short tandem repeat (STR) assay.^{19,20} We were unable to detect two alleles in 18% of controls (64/354) and 10.3% of cases (59/574), suggesting that either these individuals may have the same number of CTG monomers in both alleles (homozygous for *CTG18.1* allele) or the length of the expanded allele might lie beyond the detectable limits of the STR assay (Supplementary Fig. S1). To examine these possibilities, we used a previously published TP-PCR assay with minor modifications (see Methods; representative resolution of PCR products for each genotype is shown in Supplementary Fig. S1). The TP-PCR assay confirmed that 31/574 FCD cases (5.4%) and 59/354 (16.6%) control individuals were homozygous for the *CTG18.1* allele.

The two previous studies by Wieben and colleagues¹⁹ and Mootha and colleagues,²⁰ which reported the association of the *CTG18.1* expansion with FCD, considered CTG units below 40 and 50, respectively, as unexpanded. We, therefore, designated any allele with 40 or more CTG repeats as expanded (X) and less than 40 CTG repeats as not expanded (N). Based on these criteria, we found one expanded allele (N/X) in 59.8% (343/574) and two expanded alleles (X/X) in 2.3% (13/574) of FCD cases. In sharp contrast, only 3.67% of controls harbored one expanded allele; none carried two expanded alleles ($P = 1.52 \times 10^{-82}$; Fig. 1A; Table).

CTG18.1 Expansion Contributes to Disease Severity

Since the affection grade of our cohort ranged from 0.5 (trace) to 6 (severe phenotype that required transplantation), we next analyzed the genotyping data to determine if the 38% of cases who were N/N had a lower affection grade (modified Krachmer grading). The median modified Krachmer grading scores were 2 (N/N, $n = 218$), 3 (N/X, $n = 343$), and 4 (X/X, $n = 13$) for the respective genotypes, suggesting that the expansion of *CTG18.1* contributes to a higher disease severity ($P < 7.87 \times 10^{-5}$, Kruskal-Wallis rank test). We also considered age as a factor that may result in lower affection; we found no significant difference between the average age of the different genotypic groups (Supplementary Table S3, $P < 0.32$; *t*-test, as age is normally distributed for all the groups).

Since the female FCD population is almost two times higher in our cohort, we also tested if the expanded allele is more prevalent in females. Among the 372 females with FCD, 55.4% were N/X and 1.6% were X/X, whereas among 202 males, 67.8% were N/X and 3.5% were X/X. These data suggested that, within our FCD cohort, the expanded allele is more prevalent in males (57% females, 71.3% males; $P = 4.82 \times 10^{-4}$ by χ^2 test).

Next, we investigated whether the expanded allele alters any possible age versus severity profiles stratified by genotypes. We did not observe a relationship between age and disease severity for the FCD cases in the N/N category using a linear regression model, with a slope (average severity increase per year) of -0.008 ($P = 0.362$); however, the slopes for the N/X and X/X groups of FCD cases were 0.019 ($P = 0.021$) and 0.094 ($P = 0.008$), respectively, suggesting a significant

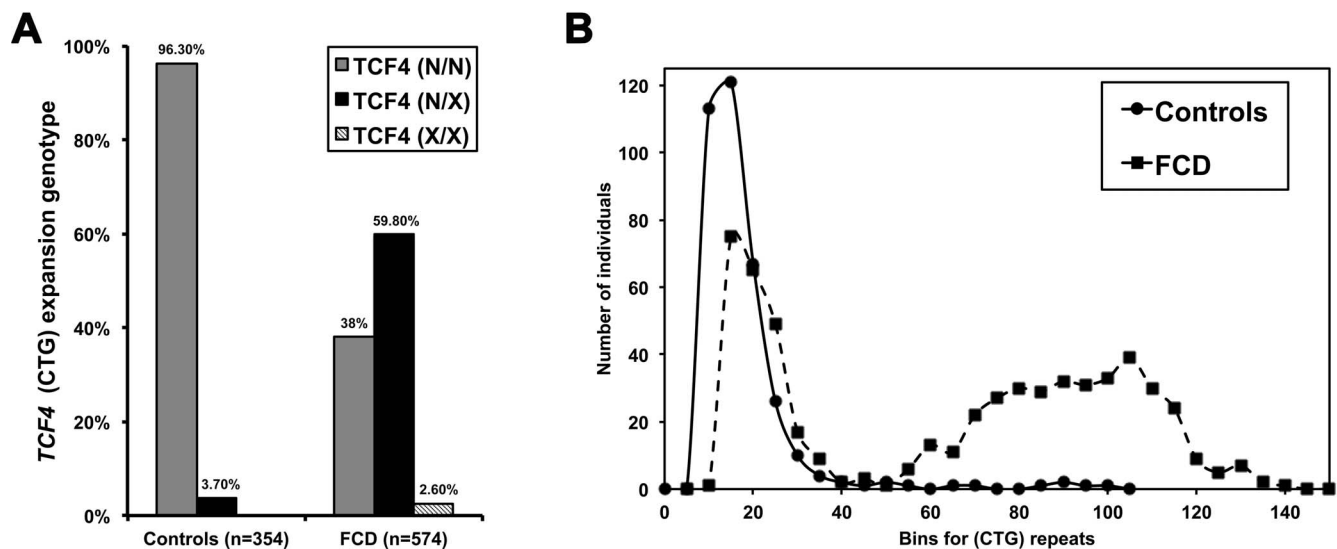


FIGURE 1. Distribution of the *CTG18.1* allele in Fuchs' corneal dystrophy cases and control cases. **(A)** The distribution of the CTG expansion genotypes based on the number of CTG with 40 repeats and above as expanded (X) and below as nonexpanded (N) between controls and FCD cases. **(B)** The number of CTG monomers was calculated for all the individuals in our cohort, and the frequency of the number of individuals (y -axis) present within a bin of five CTG repeats (x -axis) was plotted to show the distribution of the number of CTG repeats in the population examined. The *dotted line* refers to the CTG repeat size corresponding to the 99th percentile of controls.

correlation between age and disease progression in FCD cases with the expanded allele (Fig. 2).

Delineating the Threshold of Expansion for Causality

We utilized the above data to determine the number of CTG repeats in *CTG18.1* above which an expansion might be deterministic for FCD. We found that 3.7% of unaffected controls harbored a heterozygous expanded *CTG18.1* allele at $(CTG)_{n>40}$, indicating that this number of repeats does not constitute causality for FCD. Therefore, we increased the threshold of the CTG to the largest repeat size (103 repeats) present in the controls (1/354) (Fig. 1B) to determine any causality conferred by this locus. The elimination of the presence of an expansion above 103 CTG repeats in controls accounted for 17.8% of FCD cases who harbored the expanded allele sufficient to be causal ($P = 1.5 \times 10^{-23}$, Table). This analysis suggests that the expansion of the *CTG18.1* allele increases the potency and is sufficient to drive the FCD phenotype depending on the extent of the expansion. The age/

severity profiles resulted in a positive slope of 0.034 ($P = 0.023$) for the $(N/X)_{n>103}$ compared to the FCD cases without the expanded allele at $(N/N)_{n>103}$ who had a slope of 0.006 ($P = 0.411$), suggesting that the FCD cases who harbor the *CTG18.1* causal allele show a significantly increased progression (Supplementary Fig. S2).

In order to understand if the expanded alleles segregated with FCD, we analyzed the CTG repeats within the *CTG18.1* allele in two large multigenerational families previously recruited for the FCD study (Fig. 3). We were particularly intrigued by the observation of two individuals (a 34-year-old female and a 56-year-old male) within these families with *CTG18.1* biallelic expansion for $(CTG)_{n>40}$ and negative for FCD at the time of enrollment (Fig. 3). We therefore hypothesized that these individuals developed the disease over the several years that had elapsed since their initial examination. A follow-up clinical examination revealed FCD corresponding to modified Krachmer grading 1 for the female (34 years) and 3 for the male (56 years). This observation, together with the absence of biallelic expansion of *CTG18.1* for $(CTG)_{n>40}$ from controls, suggests that this genotype is sufficient to cause FCD.

TABLE. Distribution of the *CTG18.1* Expansion Genotype in Controls and FCD Cases

	CTG in Both Alleles < 40	CTG in 1 Allele > 40	CTG in Both Alleles > 40
Controls, $n = 354$	341, 96.3%	13, 3.7%	0, 0%
FCD, $n = 574$	218, 38%	343, 59.8%	13, 2.3%
Females, $n = 372$	160	206	6
Males, $n = 202$	58	137	7
	CTG in Both Alleles < 103	CTG in 1 Allele > 103	CTG in Both Alleles > 103
Controls, $n = 354$	354, 100%	0, 0%	0, 0%
FCD, $n = 574$	390, 82.2%	102, 17.8%	0, 0%
Females, $n = 372$	316	56	
Males, $n = 202$	156	46	

$P = 1.114 \times 10^{-81}$ for $(CTG)_{n>40}$ and 1.5×10^{-23} for $(CTG)_{n>103}$ by Fisher's exact test.

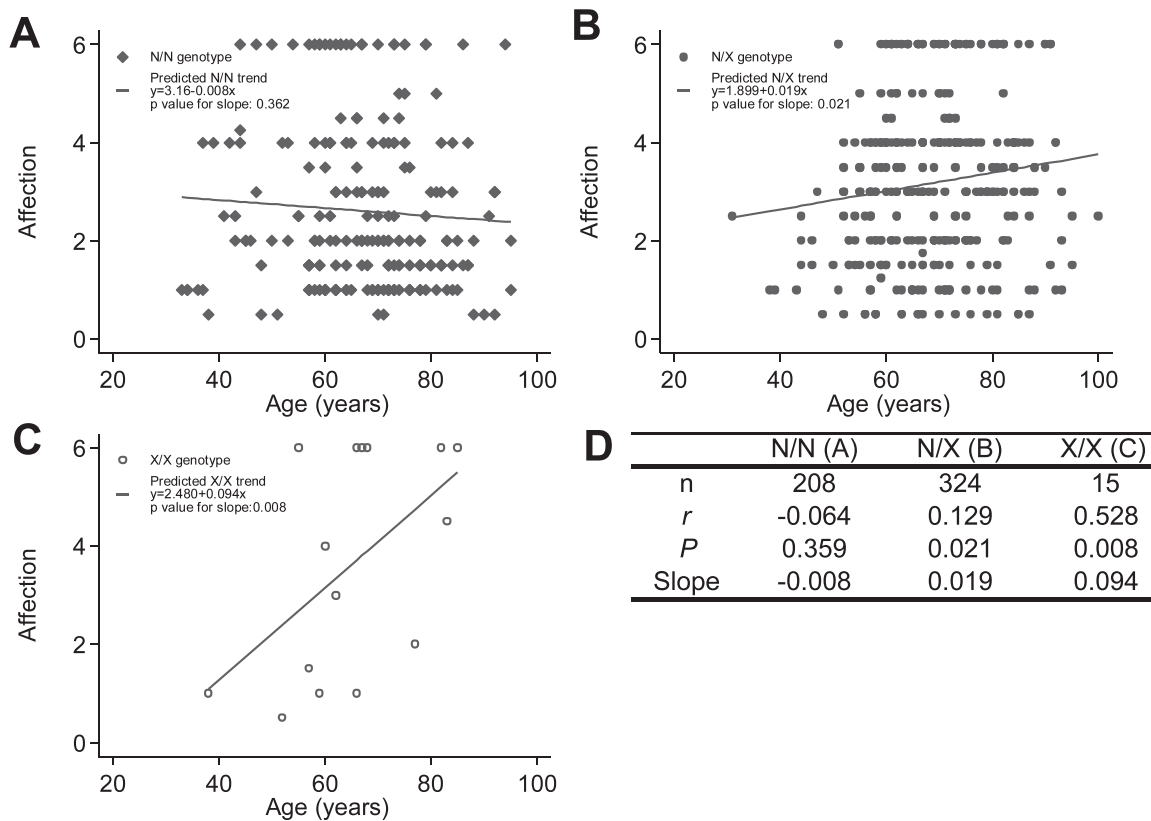


FIGURE 2. CTG repeat expansion leads to increased disease severity with respect to age. Comparison of the age versus severity profiles of all FCD cases stratified by genotypes N/N (A), N/X (B), or the X/X (C), based on the expansion of the *CTG18.1* allele at $N \leq 40 < X$. The lines within the graphs represent the predicted trend using a linear regression model. The equation in all the graphs represents the linear regression model in the form $y = a + bx$. The slope of the line is b and a , the intercept. (D) The number of observations (n), Pearson's coefficient (r), probability (P), and the slope representing change in average disease severity per year are shown for three genotypes as shown in the top row.

DISCUSSION

In this study, we have analyzed the distribution of the expanded *CTG18.1* allele in our large cohort of 574 late-onset FCD cases, 354 controls, and two multigenerational families. Our results support the contributory role of the expanded repeat and a correlation between the size of the repeat (and zygosity) and disease severity. These analyses have also helped predict the outcome of a biallelic expansion of *CTG18.1* in individuals who were unaffected previously.

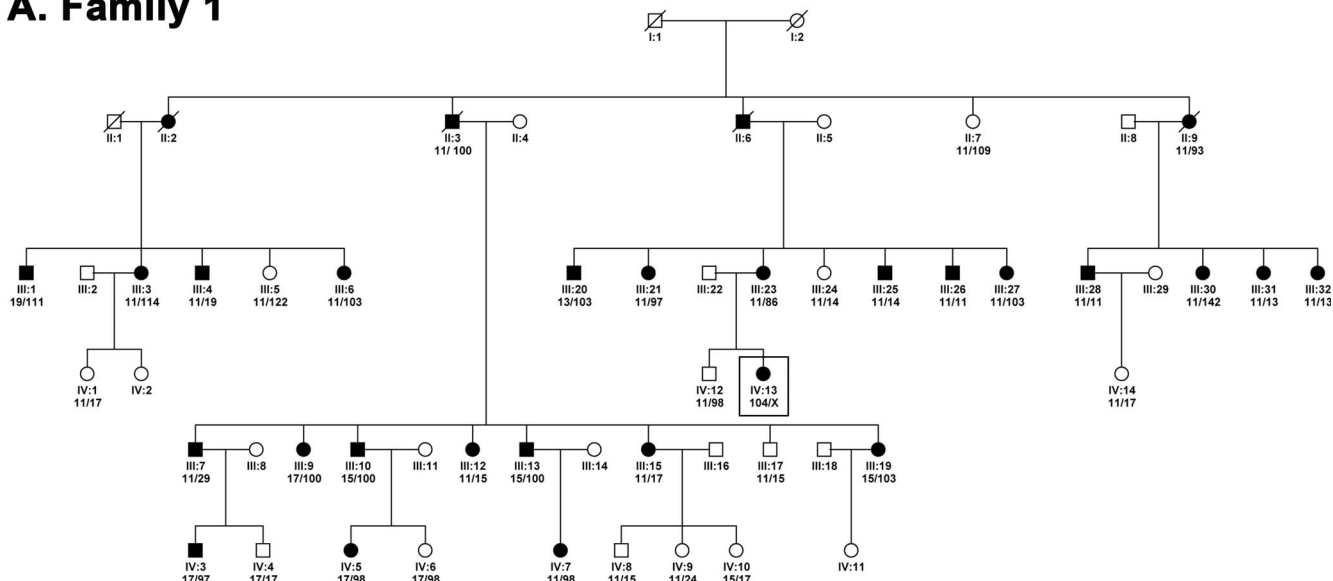
Trinucleotide repeat (TNR) expansions cause multiple human genetic disorders, such as Huntington disease, fragile-X syndrome, and myotonic dystrophy.²⁵ Noncoding repeat expansions have been linked to myotonic dystrophy type 2 ([CCTG] $_n$ in intron 1 of *CNBP/ZNF9*), Friedreich's ataxia ([GAA] $_n$ in intron 1 of *FXN*), and spinocerebellar ataxia ([ATTCT] $_n$ in intron 9 of *ATX10*).²⁴ Tissue-specific expansion of the (CCTG) repeat in *ZNF9* in some individuals with myotonic dystrophy type 2 suggests that somatic instability associated with these expansions can occur.²⁵ Analysis of the CTG repeat expansion in our families does not suggest expansion of the CTG repeats in *CTG18.1* allele between generations, although we do not exclude the possibility of somatic instability that may play a role during development.

The identification of intronic repeats expanded within *ZNF9*, *FXN*, and *ATX10* estimates the number of repeats as disease causing between 75 and 11,000 units of CCTG within *ZNF9*, 70 and 1000 units of GAA within *FXN*, and 400 and 4500 units of ATTCT within *ATX10*; the "normal" range of repeats in all three genes is 5 to 30 monomers.²⁴ Moreover,

intergeneration expansion of repeats in myotonic dystrophy results in anticipation.^{26,27} In our analyses, we do not see a large intergeneration expansion of *CTG18.1* allele, although a relatively smaller increase in the range of 10 to 30 repeats cannot be determined due to limitations of the STR and TP-PCR assays. Moreover, we have not observed earlier onset of the disease in our pedigrees with successive generations.

The range of tri- and tetranucleotide repeats that confers pathogenicity mentioned above varies between loci. The previously published association of the expansion of *CTG18.1* with FCD regarded 40 to 50 repeats as "normal."^{19,20} Our data from ~600 FCD cases enabled us to identify the threshold of CTG repeat expansion above which the expansion is causal. This notion is further strengthened by the lack of any causal variants identified within the FCD2 linkage or the rs613872 linkage disequilibrium.^{17,19,28} Moreover, the absence of biallelic expansion for (CTG) $_{n>40}$ among any of our sporadic or familial controls suggests that the causal allele might be completely penetrant and essentially mendelize the phenotype. The delineation of the threshold for causality helped us predict the outcome of the specific genotype in two cases of biallelic *CTG18.1* expansion. In these cases, both of whom were previously determined to be unaffected but identified with an expansion for (CTG) $_{n>40}$ in both alleles, follow-up examination after several years revealed FCD in both. Our analyses have determined the length of the expansion of CTG repeats sufficient to drive the phenotype in 17.8% and significantly associated with 44.4% of the FCD cases in our cohort. Nevertheless, the ability of this model to test the genotype-phenotype correlation needs further refinement, although the

A. Family 1



B. Family 2

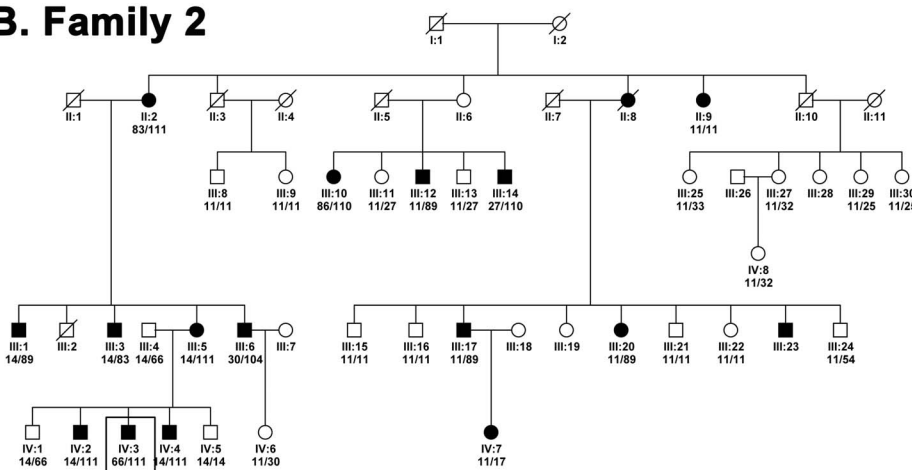


FIGURE 3. Follow-up examination of two previously unaffected individuals with a biallelic *CTG18.1* expansion demonstrated FCD. (A, B) The number of (CTG) repeats in all the individuals enrolled in the FCD study from families 1 and 2 was calculated using a combination of STR and TP-PCR assays and is represented below each individual. The shaded black males and females represent individuals with FCD. The individuals in black boxes were followed up for an evaluation based on the hypothesis that a biallelic expansion for (CTG)_{n>40} is causal. Reexamination with slit-lamp biomicroscopy revealed FCD in these individuals. Genotype represented with “X” suggests that the expansion is larger than the detectable limits of STR and TP-PCR assays.

there is little doubt on the association signal. Additionally, to better understand the effect on severity, future evaluation with objective techniques such as retroillumination photography analysis, which have been utilized in FCD to determine genotype-phenotype correlation, may provide more detailed resolution of FCD severity relative to a 1 through 6 grading scale, which may be limited in its interrater reliability.^{29,30} Moreover, the interrater reliability associated with subjective clinical grading by corneal specialists is modest, and a quantitative and reproducible assessment would be helpful.³¹

The *TCF4* transcript undergoes multiple alternative splicing and results in the expression of as many as 21 different isoforms known to date.³² The role of these isoforms has not been completely elucidated, and how many of these alternatively spliced products are indeed translated to a functional

protein remains unknown. We hypothesize that the expansion of *CTG18.1* allele results in aberrant splicing or alters the translation of the protein. *TCF4* has one activation domain near the N-terminus (AD1), a nuclear localization signal, another activation domain (AD2), and a basic helix-loop-helix domain toward the C-terminus.^{33,34} The presence of AD1 at the N-terminus of some of the *TCF4* isoforms likely imparts an isoform-specific regulatory function. In that context, it will be important to determine whether the interactome of this alternative isoform is perturbed in FCD-affected corneal endothelial tissue. Ultimately, understanding how expansion of this allele impairs specificity of the phenotype will be of interest not only for understanding the pathomechanism of FCD, but also with respect to the broader effect of triplet expansion on transcriptional fidelity.

Acknowledgments

The authors thank all the participants in the study, including the families, for being supportive toward our research.

Supported by Grants R01EY016835, K12EY015025, and P30EY01765 from the National Eye Institute, National Institutes of Health, Bethesda, Maryland; the Pakula Family Research Fund; and the Faller Family LLC. The funding agency had no role in study design, data collection and analysis, decision to publish, or preparation of the manuscript.

Disclosure: **S. Vasanth**, None; **A.O. Eghrari**, None; **B.C. Gapsis**, None; **J. Wang**, None; **N.F. Haller**, None; **W.J. Stark**, None; **N. Katsanis**, None; **S.A. Riazuddin**, None; **J.D. Gottsch**, None

References

- Fuchs E. Dystrophia epithelialis corneae. *Graefes Arch Clin Exp Ophthalmol*. 1910;478-508.
- Lorenzetti DW, Uotila MH, Parikh N, Kaufman HE. Central cornea guttata. Incidence in the general population. *Am J Ophthalmol*. 1967;64:1155-1158.
- Gottsch JD, Sundin OH, Rencs EV, et al. Analysis and documentation of progression of Fuchs corneal dystrophy with retroillumination photography. *Cornea*. 2006;25:485-489.
- Krachmer JH, Purcell JJ, Young CW, Bucher KD. Corneal endothelial dystrophy. A study of 64 families. *Arch Ophthalmol*. 1978;96:2036-2039.
- Mannis MJ, Holland EJ, Beck RW, et al. Clinical profile and early surgical complications in the Cornea Donor Study. *Cornea*. 2006;25:164-170.
- Riazuddin SA, Zaghoul NA, Al-Saif A, et al. Missense mutations in TCF8 cause late-onset Fuchs corneal dystrophy and interact with FCD4 on chromosome 9p. *Am J Hum Genet*. 2010;86:45-53.
- Riazuddin SA, Eghrari AO, Al-Saif A, et al. Linkage of a mild late-onset phenotype of Fuchs corneal dystrophy to a novel locus at 5q33.1-q35.2. *Invest Ophthalmol Vis Sci*. 2009;50:5667-5671.
- Sundin OH, Broman KW, Chang HH, Vito EC, Stark WJ, Gottsch JD. A common locus for late-onset Fuchs corneal dystrophy maps to 18q21.2-q21.32. *Invest Ophthalmol Vis Sci*. 2006;47:3919-3926.
- Sundin OH, Jun AS, Broman KW, et al. Linkage of late-onset Fuchs corneal dystrophy to a novel locus at 13pTel-13q12.13. *Invest Ophthalmol Vis Sci*. 2006;47:140-145.
- Riazuddin SA, Vithana EN, Seet LF, et al. Missense mutations in the sodium borate cotransporter SLC4A11 cause late-onset Fuchs corneal dystrophy. *Hum Mutat*. 2010;31:1261-1268.
- Vithana EN, Morgan PE, Ramprasad V, et al. SLC4A11 mutations in Fuchs endothelial corneal dystrophy. *Hum Mol Genet*. 2008;17:656-666.
- Vithana EN, Morgan P, Sundaresan P, et al. Mutations in sodium-borate cotransporter SLC4A11 cause recessive congenital hereditary endothelial dystrophy (CHED2). *Nat Genet*. 2006;38:755-757.
- Riazuddin SA, Vasanth S, Katsanis N, Gottsch JD. Mutations in AGBL1 cause dominant late-onset Fuchs corneal dystrophy and alter protein-protein interaction with TCF4. *Am J Hum Genet*. 2013;93:758-764.
- Riazuddin SA, Parker DS, McGlumphy EJ, et al. Mutations in LOXHD1, a recessive-deafness locus, cause dominant late-onset Fuchs corneal dystrophy. *Am J Hum Genet*. 2012;90:533-539.
- Baratz KH, Tosakulwong N, Ryu E, et al. E2-2 protein and Fuchs's corneal dystrophy. *N Engl J Med*. 2010;363:1016-1024.
- Li YJ, Minear MA, Rimmler J, et al. Replication of TCF4 through association and linkage studies in late-onset Fuchs endothelial corneal dystrophy. *PLoS One*. 2011;6:e18044.
- Riazuddin SA, McGlumphy EJ, Yeo WS, Wang J, Katsanis N, Gottsch JD. Replication of the TCF4 intronic variant in late-onset Fuchs corneal dystrophy and evidence of independence from the FCD2 locus. *Invest Ophthalmol Vis Sci*. 2011;52:2825-2829.
- Thalamuthu A, Khor CC, Venkataraman D, et al. Association of TCF4 gene polymorphisms with Fuchs' corneal dystrophy in the Chinese. *Invest Ophthalmol Vis Sci*. 2011;52:5573-5578.
- Wieben ED, Aleff RA, Tosakulwong N, et al. A common trinucleotide repeat expansion within the transcription factor 4 (TCF4, E2-2) gene predicts Fuchs corneal dystrophy. *PLoS One*. 2012;7:e49083.
- Mootha VV, Gong X, Ku HC, Xing C. Association and familial segregation of CTG18.1 trinucleotide repeat expansion of TCF4 gene in Fuchs' endothelial corneal dystrophy. *Invest Ophthalmol Vis Sci*. 2014;55:33-42.
- Eghrari AO, McGlumphy EJ, Iliff BW, et al. Prevalence and severity of Fuchs corneal dystrophy in Tangier Island. *Am J Ophthalmol*. 2012;153:1067-1072.
- Kopplin LJ, Przepyszny K, Schmotzer B, et al. Relationship of Fuchs endothelial corneal dystrophy severity to central corneal thickness. *Arch Ophthalmol*. 2012;130:433-439.
- McMurray CT. Mechanisms of trinucleotide repeat instability during human development. *Nat Rev Genet*. 2010;11:786-799.
- Gatchel JR, Zoghbi HY. Diseases of unstable repeat expansion: mechanisms and common principles. *Nat Rev Genet*. 2005;6:743-755.
- Liquori CL, Ricker K, Moseley ML, et al. Myotonic dystrophy type 2 caused by a CCTG expansion in intron 1 of ZNF9. *Science*. 2001;293:864-867.
- Monckton DG, Coolbaugh MI, Ashizawa KT, Siciliano MJ, Caskey CT. Hypermutable myotonic dystrophy CTG repeats in transgenic mice. *Nat Genet*. 1997;15:193-196.
- Monckton DG, Caskey CT. Unstable triplet repeat diseases. *Circulation*. 1995;91:513-520.
- Wieben ED, Aleff RA, Eckloff BW, et al. Comprehensive assessment of genetic variants within TCF4 in Fuchs' endothelial corneal dystrophy. *Invest Ophthalmol Vis Sci*. 2014;55:6101-6107.
- Meadows DN, Eghrari AO, Riazuddin SA, Emmert DG, Katsanis N, Gottsch JD. Progression of Fuchs corneal dystrophy in a family linked to the FCD1 locus. *Invest Ophthalmol Vis Sci*. 2009;50:5662-5666.
- McGlumphy EJ, Yeo WS, Riazuddin SA, et al. Age-severity relationships in families linked to FCD2 with retroillumination photography. *Invest Ophthalmol Vis Sci*. 2010;51:6298-6302.
- Repp DJ, Hodge DO, Baratz KH, McLaren JW, Patel SV. Fuchs' endothelial corneal dystrophy: subjective grading versus objective grading based on the central-to-peripheral thickness ratio. *Ophthalmology*. 2013;120:687-694.
- Sepp M, Kannike K, Eesmaa A, Urb M, Timmusk T. Functional diversity of human basic helix-loop-helix transcription factor TCF4 isoforms generated by alternative 5' exon usage and splicing. *PLoS One*. 2011;6:e22138.
- Quong MW, Massari ME, Zwart R, Murre C. A new transcriptional-activation motif restricted to a class of helix-loop-helix proteins is functionally conserved in both yeast and mammalian cells. *Mol Cell Biol*. 1993;13:792-800.
- Massari ME, Jennings PA, Murre C. The AD1 transactivation domain of E2A contains a highly conserved helix which is required for its activity in both *Saccharomyces cerevisiae* and mammalian cells. *Mol Cell Biol*. 1996;16:121-129.