

# Model-based analysis of microbial consortia and microbial products in an anammox biofilm reactor

M. Azari, A. V. Le, M. Lübken and M. Denecke

## ABSTRACT

A mathematical model for a granular biofilm reactor for leachate treatment was validated by long-term measured data to investigate the mechanisms and drivers influencing biological nitrogen removal and microbial consortia dynamics. The proposed model, based on Activated Sludge Model (ASM1), included anaerobic ammonium oxidation (anammox), nitrifying and heterotrophic denitrifying bacteria which can attach and grow on granular activated carbon (GAC) particles. Two kinetic descriptions for the model were proposed: with and without soluble microbial products (SMP) and extracellular polymeric substance (EPS). The model accuracy was checked using recorded total inorganic nitrogen concentrations in the effluent and estimated relative abundance of active bacteria using quantitative fluorescence *in-situ* hybridization (qFISH). Results suggested that the model with EPS kinetics fits better for the relative abundance of anammox bacteria and nitrifying bacteria compared to the model without EPS. The model with EPS and SMP confirms that the growth and existence of heterotrophs in anammox biofilm systems slightly increased due to including the kinetics of SMP production in the model. During the one-year simulation period, the fractions of autotrophs and EPS in the biomass were almost stable but the fraction of heterotrophs decreased which is correlated with the reduction in nitrogen surface loading on the biofilm.

**Key words** | anammox, biofilm, biological nitrogen removal, extracellular polymeric substances (EPS), soluble microbial products (SMP), wastewater treatment modelling

M. Azari<sup>†</sup> (corresponding author)

A. V. Le<sup>†</sup>

M. Denecke

Department of Urban Water- and Waste Management,

University of Duisburg-Essen,

Universitätsstraße 15, 45141 Essen,

Germany

E-mail: [mohammad.azari-najaf-abad@uni-due.de](mailto:mohammad.azari-najaf-abad@uni-due.de)

M. Lübken

Institute of Urban Water Management and

Environmental Engineering, Ruhr-Universität Bochum,

Universitätsstraße 150, 44801 Bochum,

Germany

<sup>†</sup>Contributed equally to this work.

## INTRODUCTION

Mathematical modelling of microbial community dynamics and interactions in mixed consortia is of great significance not only in ecological simulation but also for activated sludge models in wastewater treatment (Klimenko *et al.* 2016; Arashiro *et al.* 2017). In biological nitrogen removal processes, simulation of microbial population can help to develop support tools to investigate the interactions between microorganisms. This step is also beneficial to improve calculation of substrate removal in bioreactors.

The anammox-based technologies are potential energy-positive alternatives to conventional nitrification-denitrification, especially for ammonia-rich wastewater treatment (Cao *et al.* 2016; Ma *et al.* 2016). Anammox bacteria belong to the Planctomycetes phylum, with six known genera (Azari *et al.* 2017a). The bacteria consume ammonium as their energy source (electron donor) and dissolved CO<sub>2</sub> and HCO<sub>3</sub><sup>-</sup> is used for cell biosynthesis (Suneethi *et al.* 2014; Ma *et al.* 2017). The anammox process has brought advantages for the

wastewater treatment industry, since it does not require any extra organic carbon sources, up to 60% energy for aeration is saved and 90% less excess sludge is produced compared to conventional nitrification-denitrification (Azari *et al.* 2017a). Due to the slow growth of anammox bacteria, improvement of solids retention time (SRT) is required and therefore the application of anammox in biofilm reactors has been suggested as a possible approach (Lackner *et al.* 2014). Mathematical modelling of this type of anammox biofilm reactor could be an advantageous tool for the simulation, prediction and understanding of microbial community structure and biofilm characteristics. However, this is controversial due to present research gaps. First, current implications from mathematical modelling of biofilm reactors mainly focus on simulation of the substrates removal but little is known about modelling the active and inactive microbial groups regarding to dominance, abundance and biocoenosis. Also, in terms of dynamic modelling of extracellular polymeric

substances (EPS) and soluble microbial products (SMP) with a focus on nitrogen-converting bacteria only few studies are available (Ni *et al.* 2012; Liu *et al.* 2016) while other studies have concluded that production of EPS components is linked to the formation of biofilms and granular sludge and the stability of bioreactor (Tan *et al.* 2017). In addition, model verification requires a systematic algorithm which has not been adequately addressed in current studies (Zhu *et al.* 2016). For example, based on the sensitivity analysis of previous works (Azari *et al.* 2017b), the model output results of such complex biofilm models are prone to parameter collinearity, numerical instability and minor changes in kinetic and stoichiometric parameters and sometimes initial parameters. Hence these values must be tuned and identified properly. Finally, among studies explaining models of anammox plants (Dapena-Mora *et al.* 2004; Ni *et al.* 2009, 2014; Liu *et al.* 2017), few checked the model against good long-term experimental data, not only for verification of nitrogen components and organic carbon, but also for calibration and validation of microbial community dynamics (Ni *et al.* 2012). However, low-quality long-term experimental data can hamper the verification of biokinetic models on a statistical basis (Kovářová-Kovar & Egli 1998). To overcome the claimed challenges, this study investigates the modelling of simultaneous partial nitrification, anammox and denitrification (SNAD) in a full-scale biofilm reactor assisted by granular activated carbon (GAC) particles under anoxic conditions.

The main aim of the work is to develop and evaluate a comprehensive and novel mechanistic model including SMP and EPS definitions to explain the relative abundance of independent microbial groups and to further describe the dynamics of microbial and non-microbial groups in the biofilm. Specific objectives include: (1) modelling of nitrogen removal and microbial community structure, (2) application of quantitative fluorescence *in-situ* hybridization (qFISH) to verify the simulated results of the microbial abundances, (3) comparing the model performance with and without EPS and SMP kinetics.

## METHODS

### Operation of biofilm reactor

A full-scale anammox plant for municipal landfill leachate treatment is operated by LAMBDA GmbH (Herten, Germany) consisting of three main stages, including biological treatment with activated sludge, ultrafiltration and activated carbon biofilm process (Azari *et al.* 2017a) (Figure 1). The

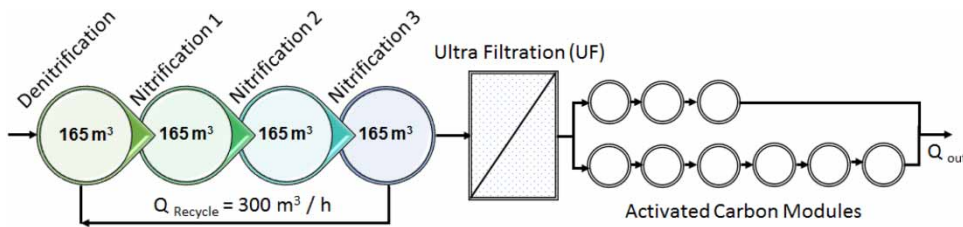
entire processes are very stable to sudden variations in flow and nitrogen concentration, and it can convert nearly 97% of the ammonium to nitrogen gas. In this study, the last part of the plant before the outflow containing GAC-assisted biofilm reactors (essential for final polishing of remaining amount of ammonium, nitrite and nitrate after the activated sludge process) was modelled. The anammox organisms grow on the surface of activated carbon with silica gel as the adsorbent medium. The GAC biofilm also comprises nitrifying and heterotrophic denitrifying bacteria (Ke *et al.* 2015). Daily concentrations of NH<sub>4</sub>-N, NO<sub>2</sub>-N and NO<sub>3</sub>-N were recorded photometrically using German standards (Hach, Germany). Total organic nitrogen (TON) is negligible in the influent and effluent of the biofilm reactor and the pH value is controlled between 7 and 7.4. Total inorganic nitrogen (TIN) was calculated as the sum of NH<sub>4</sub>-N, NO<sub>2</sub>-N and NO<sub>3</sub>-N.

### Quantitative fluorescence *in-situ* hybridization (qFISH) and digital image analysis

A series of experiments was designed to develop a protocol adapted from Azari *et al.* (2017a, 2017b) for qFISH, *in-situ* microscopy and image analysis for quantification of relative abundance of dominant microorganisms (Figure A1 of Supplementary Materials, available with the online version of this paper). The biomass was frequently taken from the steady-state operation of the GAC biofilm reactor in five monthly timeframes. Three groups of bacteria were targeted, including anammox (AMX), ammonia-oxidizing bacteria (AOB) and nitrite-oxidizing bacteria (NOB). In total, five specific probes mixed with a general probe were chosen (Table 1). Probe Amx820 and Sca1309 target most anammox bacteria, Nso190 targets most AOB, NIT3 and Ntspa662 target most NOB, and EUB338 is a general probe to target most domain bacteria (more than 90%). 20 qFISH images from randomized field of observations (FOVs) were obtained by an epifluorescence microscope (Axio imager 2, Carl Zeiss AG, Jena, Germany). The relative abundances of AMX, AOB and NOB were estimated by calculating the percentage of their respective areas taken up by fluorescence targeted cells from the specific probes compared to the total area taken up by the EUB 338 general probe using ImageJ and daime software (Daims *et al.* 2006; Almstrand *et al.* 2014). The relative abundance using qFISH will be further used for model evaluation.

### Model definition and evaluation

Activated Sludge Model No. 1 (ASM1) based on the biofilm modelling platform in AQUASIM 2.1 (EAWAG,



**Figure 1** | Illustration of simulated anammox plant with combination of activated sludge (biological treatment) and activated carbon biofilm system (biophysical treatment) in the plant.

**Table 1** | List of 16S rRNA-targeted oligonucleotide gene probes used for qFISH

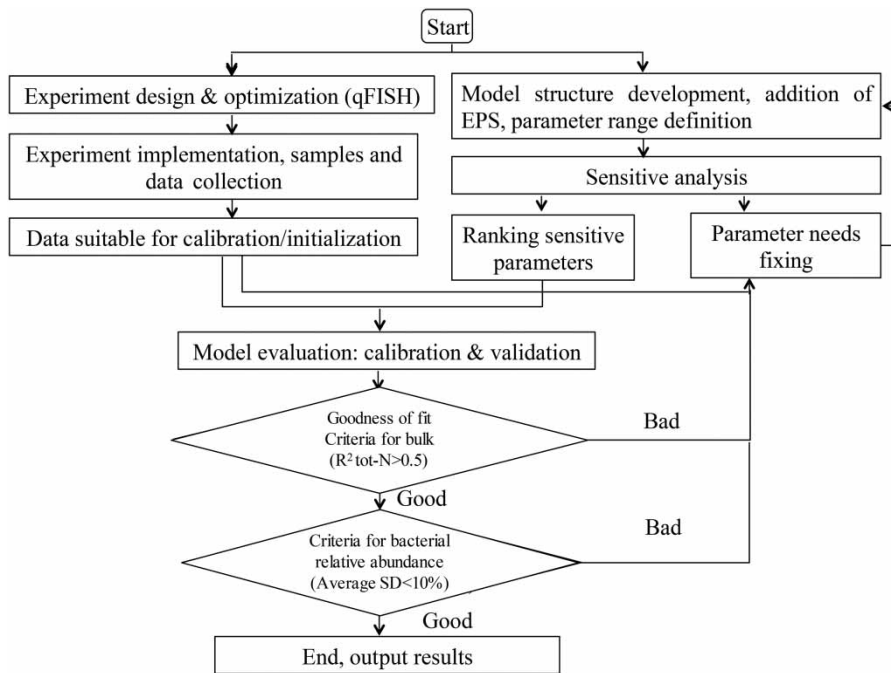
Probe	Specificity	Sequence (5'-3')	Formamide [%]	Dye	References
EUB 338	Most of domain bacteria	GCT GCC TCC CGT AGG AGT	0–55	FITC	Zarda et al. (1991)
Amx 820	AMX: <i>Candidatus</i> Brocadia anammoxidans and <i>Candidatus</i> Kuenenia stuttgartiensis	AAA ACC CCT CTA CTT AGT GCC C	40	Cy3	Kartal et al. (2006)
Sca 1309	AMX: <i>Candidatus</i> Scalindua sp.	TGG AGG CGA ATT TCA GCC TCC	5	Cy3	Schmid et al. (2003)
NIT 3	NOB: <i>Nitrobacter</i> sp.	CCT GTG CTC CAT GCT CCG	40	Cy3	Mobarry et al. (1997)
Ntspa 662	NOB: <i>Nitrospira</i> sp.	GGA ATT CCG CTC TCC TCT	35	Cy3	Daims et al. (2000)
Nso 190	AOB: Betaproteobacterial ammonia-oxidizing bacteria	CGA TCC CCT GCT TTT CTC C	55	Cy3	Mobarry et al. (1997)

Switzerland) was modified for enhanced nitrogen elimination including four main microbial groups i.e. AOB, NOB, AMX and heterotrophic denitrifiers (Table 2) according to the Monod kinetics and the revised stoichiometric matrix of the anammox process (Lotti et al. 2014). As previously discussed in the introduction, it is essential to establish a robust protocol for model evaluation. Therefore, this work formulated a protocol adapted from Zhu et al. (2016) for experiment design, data collection, model development, sensitivity analysis, calibration, validation and uncertainty analysis (Figure 2). The new contributions to this model evaluation algorithm are (1) adding the experimental design procedure for qFISH and (2) defining statistical criteria for model calibration and validation for TIN and the relative abundance of microbial consortia. An additional definition of SMP and EPS was added to the model structure to compare the model performance with and without EPS and SMP kinetics. This structure can model SMP production and uptake, EPS production and EPS hydrolysis rates according to Liu et al. (2016). SMPs were classified into two groups, utilization-associated products (UAP) from the natural product of bacterial growth and biomass-associated products (BAP) from the hydrolysis process of the active biomass (Laspidou & Rittmann 2002). Figure 3(a) and 3(b) illustrate how two model structures with and without EPS kinetics were developed. Since

**Table 2** | Definition of components in the models

Component	Definition	Unit
Dissolved components		
$S_{BAP}^a$	Biomass associated products	$\text{g COD m}^{-3}$
$S_{UAP}^a$	Utilization-associated products	$\text{g COD m}^{-3}$
$S_S$ or $S_{COD}$	Readily degradable organic substrate	$\text{g COD m}^{-3}$
$S_{NH4}$	Ammonium nitrogen	$\text{g N m}^{-3}$
$S_{NO2}$	Nitrite nitrogen	$\text{g N m}^{-3}$
$S_{NO3}$	Nitrate nitrogen	$\text{g N m}^{-3}$
$S_{N2}$	Dissolved nitrogen gas	$\text{g N m}^{-3}$
Model particulate components		
$X_{AN}$	Anaerobic ammonium-oxidizing bacteria	$\text{g COD m}^{-3}$
$X_{AOB}$	Ammonium-oxidizing bacteria	$\text{g COD m}^{-3}$
$X_{NOB}$	Nitrite-oxidizing bacteria	$\text{g COD m}^{-3}$
$X_{EPS}^a$	Extracellular polymeric substances	$\text{g COD m}^{-3}$
$X_H$	Heterotrophic bacteria	$\text{g COD m}^{-3}$
$X_S$	Slowly degradable organic substrate	$\text{g COD m}^{-3}$
$X_I$	Inert, non-biodegradable organics	$\text{g COD m}^{-3}$
$X_{others}$	Other bacteria, not contributing to carbon and nitrogen removal processes	$\text{g COD m}^{-3}$

<sup>a</sup>Components were only available in the model with EPS.



**Figure 2** | Model development and evaluation protocol applied in this study.

GAC has the potential to adsorb chemical oxygen demand (COD) and  $\text{NH}_4\text{-N}$ , a simple adsorption isotherm equation ( $K_d$  approach) as a linear form of the Freundlich equation was also added to both models to define adsorption kinetics (Ranjbar & Jalali 2015). Bioprocess kinetic rates equations including those for EPS, UAP and BAP are presented in Table 3. The stoichiometric matrix and definition of biofilm matrix parameters are provided in Tables A1 and A2, respectively, of the Supplementary Materials (available online).

## RESULTS AND DISCUSSION

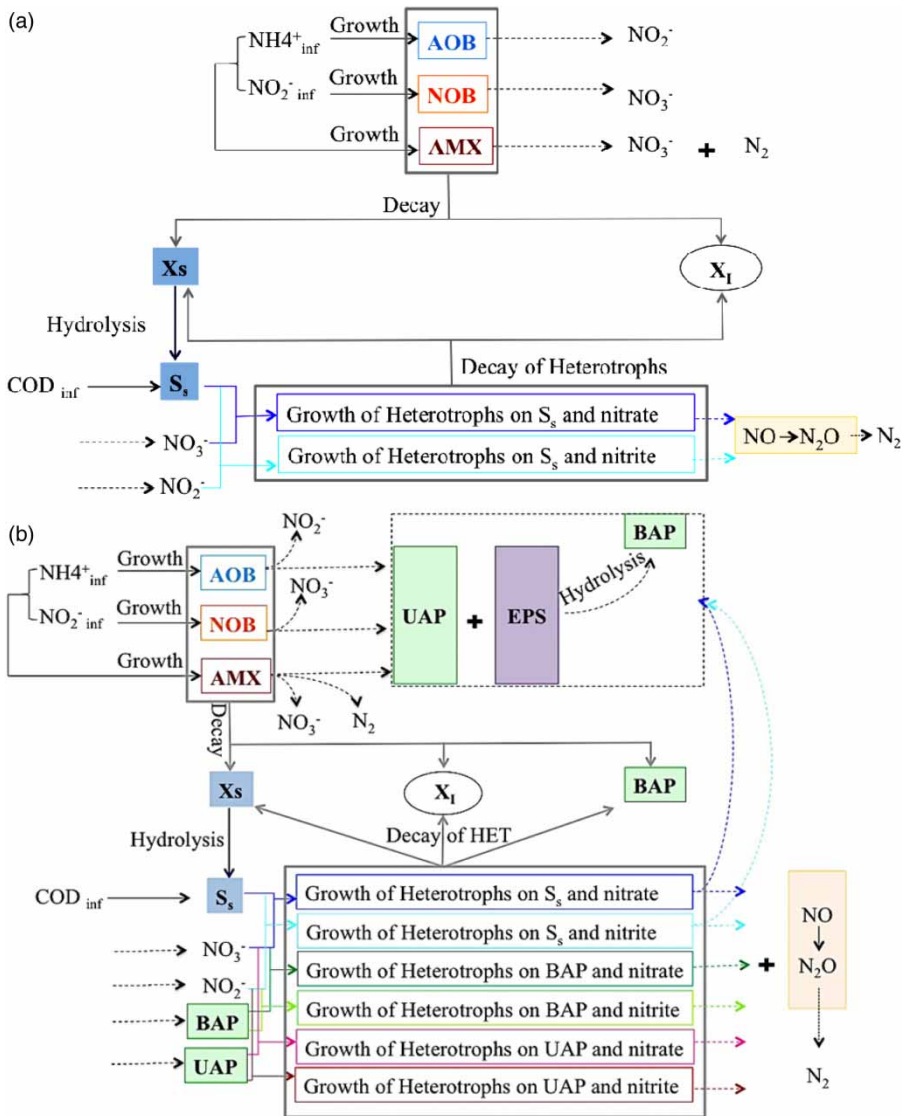
### Simulation of nitrogen removal

The general behaviour of the biofilm reactor's influent is characterized by significant fluctuations in  $\text{NH}_4\text{-N}$  and COD with a COD:TN ratio of 4 to 20. The one-year performance of the anammox biofilm reactor was calibrated for two models using measured data of  $\text{NH}_4\text{-N}$ ,  $\text{NO}_2\text{-N}$  and  $\text{NO}_3\text{-N}$ . The regression analysis between the simulated and measured concentration of TIN and  $\text{NH}_4\text{-N}$  implies a higher  $R^2$  value for the model with EPS and SMP. For the model with EPS and SMP,  $R^2$  values for TIN and  $\text{NH}_4\text{-N}$  are equal to 0.65 and 0.66 respectively while  $R^2$  values of 0.64 and 0.61 were calculated for the model without EPS kinetics. Calibrated

values for model parameters and regression analysis graphs for TIN and  $\text{NH}_4\text{-N}$  are provided in Tables A3 and A4 and Figure A4 of the Supplementary Materials (available with the online version of this paper). After the model calibration, validation results of both models for TIN over 120 days of simulation showed that the model with EPS and without EPS predict the fate of remaining nitrogen in the effluent with a similar accuracy. Although the model with EPS undermined some measured data in the middle of validation period, the model without EPS overestimated some data points in the beginning of validation period (Figure A5 of Supplementary Materials, available online). Nevertheless, after regression analysis both models gave the identical  $R^2$  values of 0.65 for the validation period.

### Model evaluation for relative abundance of microbial consortia

The relative abundances of AMX, AOB and NOB were visualized (see Figure A2 of the Supplementary Materials for anammox bacteria and Figure A3 for AOB and NOB, available online) and estimated by qFISH. As shown in Figure 4, the averaged relative abundance of anammox bacteria as the dominant species to the total domain bacteria over one year was  $52.2\% \pm 5.4$  of total microbial groups while the simulated results give the averaged relative abundance of 45.8% for the model without EPS (Figure 5(a)) and 53.7% for the



**Figure 3** | The model structure without (a) and with (b) the EPS kinetics and dynamics of SMP release and uptake a for a biofilm system in anoxic conditions containing four groups of bacteria: AMX, AOB, NOB and heterotrophic denitrifiers (UAP: utilization-associated products and BAP: biomass-associated products).

model with EPS (Figure 5(b)). For AOBs, the average estimated relative abundance of bacteria to the total domain bacteria throughout the year was 5.7% of total microbial groups while the modelled results give a relative abundance of 15.8% for the model without EPS (Figure 5(a)) and 8.5% for the model with EPS (Figure 5(b)). The NOB was the least dominant bacterial group, at only  $2.6 \pm 3.2\%$  from qFISH results (Figure 4). Simulation of NOB relative abundance was in good agreement with observations: the model with and without EPS predicted  $2.6 \pm 1.8\%$  and  $3.3 \pm 2.8\%$  respectively (Figure 5(a) and 5(b)). Comparing the simulated relative abundance with the observed values for AMX, AOB and NOB, it could be seen that statistically the model with

EPS fits better than model without EPS, in which averaged relative abundance was closer to the measured data and the trends and variations were better predicted (Figure 5(b)). Moreover, throughout the simulation period, the model without EPS overestimated the AOB relative abundance while the relative abundance of heterotrophs decreased continuously to less than 10%. This could have been due to the underestimate of heterotrophic growth rates due to neglecting heterotrophic synthesis from the utilization of UAP and BAP as extra organic carbon sources (Figure 3(b)).

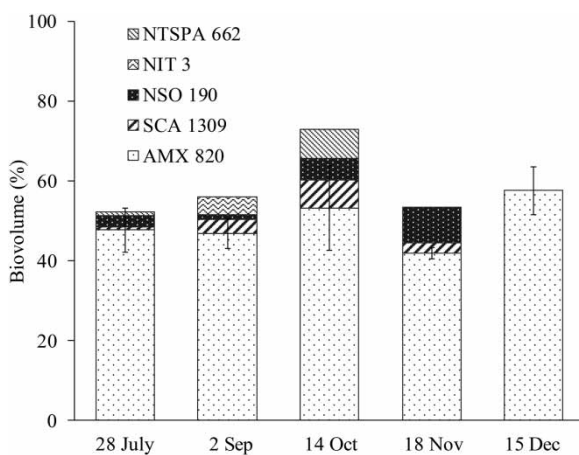
With regard to the kinetics of BAP and UAP formation and uptake, UAP and BAP have distinct kinetics parameters, with UAP more readily biodegradable for heterotrophs.



**Table 3** | Bioprocess kinetic rate equations for models

Number	Process	Kinetic rate equation
1	Hydrolysis of slowly biodegradable substrates	$K_H \frac{(X_S/X_H)}{(K_X + X_S/X_H)} X_H$
2 <sup>a</sup>	Hydrolysis of EPS	$K_{H\_EPS} X_{EPS}$
3	Growth of anammox	$\mu_{ANmax} \frac{K_{O_2}^{AN}}{K_{O_2}^{AN} + S_{O_2}} \frac{S_{NH_4}}{K_{NH_4}^{AN} + S_{NH_4}} \frac{S_{NO_2}}{K_{NO_2}^{AN} + S_{NO_2}} X_{AN}$
4	Growth of AOB with two-step nitrification	$\mu_{AOBmax} \frac{S_{O_2}}{K_{O_2}^{AOB} + S_{O_2}} \frac{S_{NH_4}}{K_{NH_4}^{AOB} + S_{NH_4}} X_{AOB}$
5	Growth of NOB with two-step nitrification	$\mu_{NOBmax} \frac{S_{O_2}}{K_{O_2}^{NOB} + S_{O_2}} \frac{S_{NH_4}}{K_{NH_4}^{NOB} + S_{NH_4}} \frac{S_{NO_2}}{K_{NO_2}^{NOB} + S_{NO_2}} X_{NOB}$
6	Decay of anammox	$b_{AN} X_{AN}$
7	Decay of AOB	$b_{AOB} X_{AOB}$
8	Decay of NOB	$b_{NOB} X_{NOB}$
9	Anoxic growth of $X_H$ on nitrite and $S_S$	$\mu_{Hmax} \eta_{NOX} \frac{K_{O_2}^H}{K_{O_2}^H + S_{O_2}} \frac{S_{NO_2}}{K_{NO_2}^H + S_{NO_2}} \frac{S_S}{K_S^H + S_S} X_H$
10	Anoxic growth of $X_H$ on nitrate and $S_S$	$\mu_{Hmax} \eta_{NOX} \frac{K_{O_2}^H}{K_{O_2}^H + S_{O_2}} \frac{S_{NO_3}}{K_{NO_3}^H + S_{NO_3}} \frac{S_S}{K_S^H + S_S} X_H$
11 <sup>a</sup>	Anoxic growth of $X_H$ on nitrite and BAP	$\mu_{Hmax\_BAP} \eta_{NOX} \frac{K_{O_2}^H}{K_{O_2}^H + S_{O_2}} \frac{S_{NO_2}}{K_{NO_2}^H + S_{NO_2}} \frac{S_{BAP}}{K_{BAP}^H + S_{BAP}} X_H$
12 <sup>a</sup>	Anoxic growth of $X_H$ on nitrate and BAP	$\mu_{Hmax\_BAP} \eta_{NOX} \frac{K_{O_2}^H}{K_{O_2}^H + S_{O_2}} \frac{S_{NO_3}}{K_{NO_3}^H + S_{NO_3}} \frac{S_{BAP}}{K_{BAP}^H + S_{BAP}} X_H$
13 <sup>a</sup>	Anoxic growth of $X_H$ on nitrite and UAP	$\mu_{Hmax\_UAP} \eta_{NOX} \frac{K_{O_2}^H}{K_{O_2}^H + S_{O_2}} \frac{S_{NO_2}}{K_{NO_2}^H + S_{NO_2}} \frac{S_{UAP}}{K_{UAP}^H + S_{UAP}} X_H$
14 <sup>a</sup>	Anoxic growth of $X_H$ on nitrate and UAP	$\mu_{Hmax\_UAP} \eta_{NOX} \frac{K_{O_2}^H}{K_{O_2}^H + S_{O_2}} \frac{S_{NO_3}}{K_{NO_3}^H + S_{NO_3}} \frac{S_{UAP}}{K_{UAP}^H + S_{UAP}} X_H$
15	Decay of $X_H$	$b_H X_H$

<sup>a</sup>Process is only available in the model with EPS.

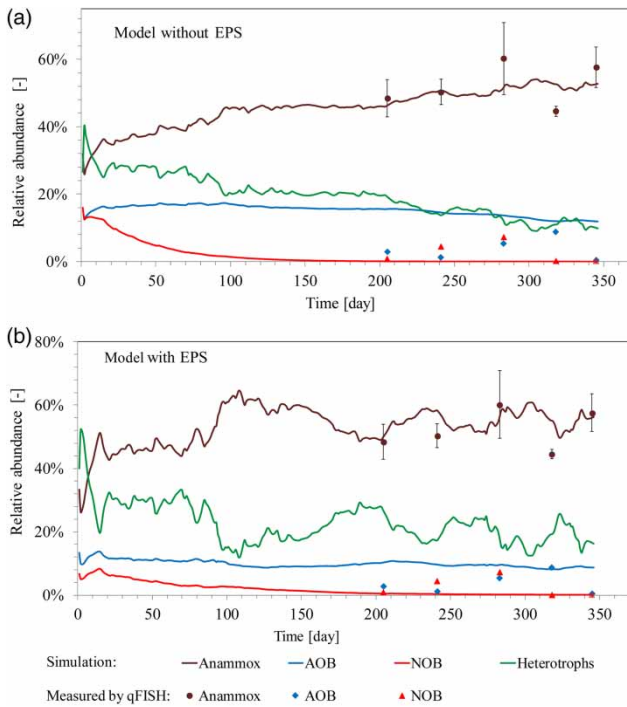


**Figure 4** | Relative abundance of anammox (AMX820 and SCA1309), AOB (NSO190) and NOB (NTSP662 & NIT3) in biofilm samples from July, September, October, November and December in 2016 estimated from qFISH experiments. (The number of replicates for each sample for AMX820 probe was two, and vertical error bars indicate the standard deviation.)

Considering the set parameters in our model for UAP and BAP, the specific growth rates, and the yield coefficient of readily soluble COD ( $S_S$ ) is higher than UAP and for UAP is higher than BAP. On the other hand, the affinity constant for BAP is higher than UAP and for UAP is higher than readily soluble COD ( $S_S$ ) (see Table A4, available online). These reasons will lead to the favourable consumption of UAP than BAP by heterotrophs. This finding follows earlier theoretical hypotheses to the most recent model-based findings claiming that UAP is more important than biomass-associated SMP (BAP) (Namkung & Rittmann 1986; Liu et al. 2016).

#### Correlation analysis of nitrogen removal efficiency and biomass fractionations

The model predicts total biofilm fractionations in terms of percentage of active (microbial) groups e.g. heterotrophic denitrifiers, anammox, AOB, NOB and other microbial



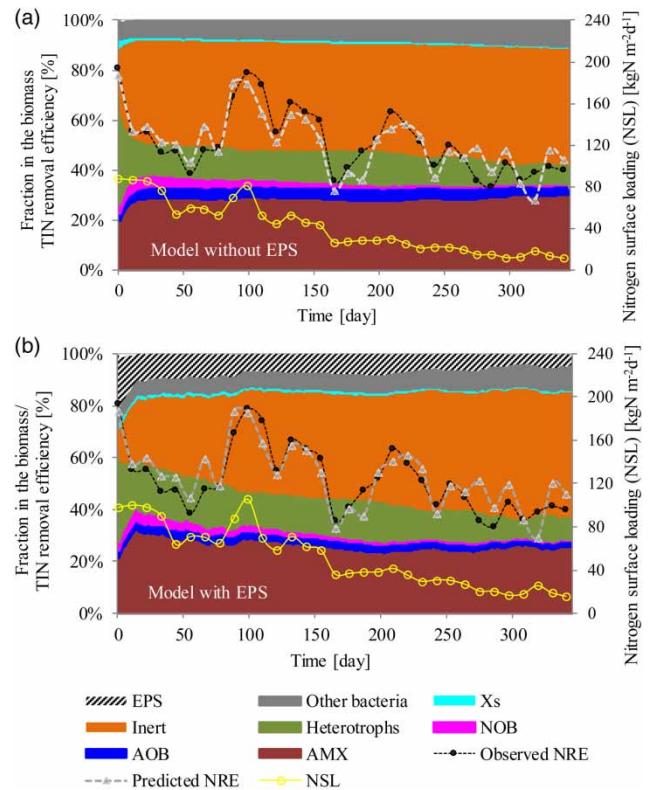
**Figure 5** | Model evaluation for relative abundance of microbial communities for models with and without EPS.

groups not involved in nitrogen removal, as well as inactive (non-microbial) groups e.g. EPS, inert, and slowly biodegradable matter (Figure 6). To link the fractions of microbial and non-microbial groups in the biofilm with system performance, the observed and modelled nitrogen removal efficiency (NRE) (average of 10 days' values) are sketched. Inert matter contributed 37.5–44% of biomass and EPS abundance varied between more than 6% to 10%.

The simulation results indicated that a period of 15 days for both models is the time necessary to reach a steady-state. During the steady-state period, the fraction of autotrophs and EPS was stable, but the fraction of heterotrophs decreased and the fraction of inert matter rose while the NRE fluctuated between 37% and 82% (Figure 6(a) and 6(b), black connected line). The highest removal efficiency of the system was found between days 90 and 250, which can be predicted by models as well. Nevertheless, no specific link can be found to correlate the system performance in terms of efficiency and stability with fractions of microbial and non-microbial groups in the biofilm.

### Correlation analysis of the nitrogen surface loading and biomass fractionations

The nitrogen surface loading (NSL) was defined as an average of TIN loaded on a square metre of biofilm active



**Figure 6** | Correlative assessment of biomass fractions and the system performance in terms of TIN removal efficiency (NRE) and nitrogen surface loading (NSL) for the model without EPS (a) and with EPS (b). Please refer to the online version of this paper to see this figure in colour: <http://dx.doi.org/10.2166/wst.2018.081>.

surface. In the first 150 days of the simulation, the NSL was higher, estimated to be at 59–105 kg N m<sup>-2</sup> d<sup>-1</sup> for the model with EPS and 44.1–85.0 kg N m<sup>-2</sup> d<sup>-1</sup> for the model without EPS (Figure 6, yellow connected line). But after day 150, NSL declines to less than 20 kg N m<sup>-2</sup> d<sup>-1</sup> due to an increase in biofilm thickness for both models. Consequently, the concentration of heterotrophs, autotrophs (AMX, AOB and NOB) and EPS decreased slightly when the biofilm thickness increased from 0.62 to 1.2 mm for the model without EPS and from 0.57 to 1.01 mm for the model with EPS. Nevertheless, over the one-year simulation period, the fractions of autotrophs and EPS were approximately stable, but the fraction of heterotrophs decreased significantly which is correlated with reduction in NSL of the biofilm. The fraction of inert matter in the biofilm correlates inversely with NSL values.

Our findings are compatible with a study from Ni et al. (2012), which demonstrated how the NSL impacts on the biomass fractions of anammox biofilm and it indicated that during a long-term simulation, the NSL increase will lead to an increase in the fractions of heterotrophs, EPS,

and anammox and a reduction in the fraction of inert matter. After a while, these fractions will level off even though the nitrogen loading rate is increasing (Ni *et al.* 2012).

## CONCLUSIONS

This kinetic study proposed a novel model structure for biological nitrogen removal by including EPS, UAP and BAP components and new process rates, which made ASM1 more complete. The model is verified for GAC biofilm reactors and results elucidated that the model can simulate inorganic nitrogen components in the bulk liquid and the relative abundance of targeted bacterial groups with sufficient accuracy. The key findings are as follows:

- The model was improved after the addition of EPS and SMP kinetics.
- The model proved that the microbial and non-microbial composition of a stable biofilm reactor is not correlated with the NRE, but it might be more influenced by any change in operation conditions such as flow rate, hydraulic retention time, dissolved oxygen, temperature, salinity and pH level.
- The biomass fractionations of microbial and non-microbial groups predicted by the biofilm model can be correlated with a factor called NSL.
- The model without EPS and SMP kinetics overestimated the relative abundance of AOB.
- The model without EPS underestimated heterotrophic growth compared with the model with EPS, because the model with EPS and SMP incorporates UAP and BAP for the support of heterotrophic growth.
- UAP is more readily biodegradable for heterotrophs than BAP.
- The real-time production of EPS and SMP can be predicted as well.

This work suggests that the growth and existence of heterotrophs in anammox biofilm systems increases due to incorporating the production of SMP so that SMP supports the growth of heterotrophic denitrifiers. Hence, application of the model with EPS is an advantage when we want a better insight on microbial consortia. With a reliable prediction of SMP release, we can better calculate and control soluble COD and inorganic nitrogen concentrations in the effluent of wastewater treatment plants.

## ACKNOWLEDGEMENTS

We acknowledge the support of the German Academic Exchange Service DAAD and remarkable supports from Zentrum für Wasser- und Umweltforschung (ZWU) at the University of Duisburg-Essen. We also appreciate the collaboration with the AGR Group and LAMBDA Gesellschaft für Gastechnik mbH for their technical assistance. We are also grateful to the Biofilm Centre, Faculty of Chemistry, University of Duisburg-Essen and Dr Frösler and Dr. rer. nat. Jost Wingender for providing advanced microscopy facilities.

## REFERENCES

- Almstrand, R., Persson, F., Daims, H., Ekenberg, M., Christensson, M., Wilén, B. M., Sörensson, F. & Hermansson, M. 2014 [Three-dimensional stratification of bacterial biofilm populations in a moving bed biofilm reactor for nitrification-anammox](#). *Int. J. Mol. Sci.* **15**, 2191–2206. doi:10.3390/ijms15022191.
- Arashiro, L. T., Rada-Ariza, A. M., Wang, M., van der Steen, P. & Ergas, S. J. 2017 [Modelling shortcut nitrogen removal from wastewater using an algal-bacterial consortium](#). *Water Science and Technology* **75** (4), 782–792.
- Azari, M., Walter, U., Rekers, V., Gu, J. D. & Denecke, M. 2017a [More than a decade of experience of landfill leachate treatment with a full-scale anammox plant combining activated sludge and activated carbon biofilm](#). *Chemosphere* **174**, 117–126.
- Azari, M., Lübken, M. & Denecke, M. 2017b [Simulation of simultaneous anammox and denitrification for kinetic and physiological characterization of microbial community in a granular biofilm system](#). *Biochemical Engineering Journal* **127**, 206–216.
- Cao, S., Du, R., Niu, M., Li, B., Ren, N. & Peng, Y. 2016 [Integrated anaerobic ammonium oxidization with partial denitrification process for advanced nitrogen removal from high-strength wastewater](#). *Bioresour. Technol.* **221**, 37–46.
- Daims, H., Nielsen, P. H., Nielsen, J. L., Juretschko, S. & Wagner, M. 2000 [Novel Nitrospira-like bacteria as dominant nitrite-oxidizers in biofilms from wastewater treatment plants: diversity and in situ physiology](#). *Water Science and Technology* **41**, 85–90.
- Daims, H., Lücker, S. & Wagner, M. 2006 [Daime, a novel image analysis program for microbial ecology and biofilm research](#). *Environ. Microbiol.* **8**, 200–213. doi:10.1111/j.1462-2920.2005.00880.x.
- Dapena-Mora, A., Van Hulle, S. W. H., Campos, J. L., Méndez, R., Vanrolleghem, P. A. & Jetten, M. 2004 [Enrichment of Anammox biomass from municipal activated sludge: experimental and modelling results](#). *J. Chem. Technol. Biotechnol.* **79**, 1421–1428. doi:10.1002/jctb.1148.



- Kartal, B., Koleva, M., Arsov, R., van der Star, W., Jetten, M. S. M. & Strous, M. 2006 **Adaptation of a freshwater anammox population to high salinity wastewater**. *J. Biotechnol.* **126**, 546–553.
- Ke, Y., Azari, M., Han, P., Gortz, I., Gu, J. D. & Denecke, M. 2015 **Microbial community of nitrogen-converting bacteria in anammox granular sludge**. *Int. Biodeterior. Biodegrad.* **103**, 105–115. doi:10.1016/j.ibiod.2015.04.011.
- Klimenko, A. I., Mustafin, Z. S., Chekantsev, A. D., Zudin, R. K., Matushkin, Y. G. & Lashin, S. A. 2016 **A review of simulation and modeling approaches in microbiology**. *Russian Journal of Genetics: Applied Research* **6** (8), 845–853.
- Kovárová-Kovar, K. & Egli, T. 1998 **Growth kinetics of suspended microbial cells: from single-substrate-controlled growth to mixed-Substrate kinetics**. *Microbiol. Mol. Biol. Rev.* **62**, 646–666.
- Lackner, S., Gilbert, E. M., Vlaeminck, S. E., Joss, A., Horn, H. & van Loosdrecht, M. C. M. 2014 **Full-scale partial nitrification/anammox experiences – an application survey**. *Water Research* **55**, 292–303. doi:10.1016/j.watres.2014.02.032.
- Laspidou, C. S. & Rittmann, B. E. 2002 **A unified theory for extracellular polymeric substances, soluble microbial products, and active and inert biomass**. *Water Research* **36** (11), 2711–2720.
- Liu, Y., Sun, J., Peng, L., Wang, D., Dai, X. & Ni, B. J. 2016 **Assessment of heterotrophic growth supported by soluble microbial products in anammox biofilm using multidimensional modeling**. *Scientific Reports* **6**, 27576.
- Liu, T., Ma, B., Chen, X., Ni, B. J., Peng, Y. & Guo, J. 2017 **Evaluation of mainstream nitrogen removal by simultaneous partial nitrification, anammox and denitrification (SNAD) process in a granule-based reactor**. *Chemical Engineering Journal* **327**, 973–981.
- Lotti, T., Kleerebezem, R., Lubello, C. & van Loosdrecht, M. C. M. 2014 **Physiological and kinetic characterization of a suspended cell anammox culture**. *Water Research* **60**, 1–14. doi:10.1016/j.watres.2014.04.017.
- Ma, B., Wang, S., Cao, S., Miao, Y., Jia, F., Du, R. & Peng, Y. 2016 **Biological nitrogen removal from sewage via anammox: recent advances**. *Bioresour. Technol.* **200**, 981–990.
- Ma, B., Qian, W., Yuan, C., Yuan, Z. & Peng, Y. 2017 **Achieving mainstream nitrogen removal through coupling anammox with denitrification**. *Environmental Science & Technology* **51** (15), 8405–8413.
- Mobarry, B. K., Wagner, M., Urbain, V., Rittmann, B. E. & Stahl, D. A. 1997 **Phylogenetic probes for analyzing abundance and spatial organization of nitrifying bacteria**. *Appl. Environ. Microbiol.* **63**, 815.
- Namkung, E. & Rittmann, B. E. 1986 **Soluble microbial products (SMP) formation kinetics by biofilms**. *Water Research* **20** (6), 795–806.
- Ni, B. J., Chen, Y. P., Liu, S. Y., Fang, F., Xie, W. M. & Yu, H. Q. 2009 **Modeling a granule-based anaerobic ammonium oxidizing (ANAMMOX) process**. *Biotechnol. Bioeng.* **103**, 490–499. doi:10.1002/bit.22279.
- Ni, B. J., Ruscalleda, M. & Smets, B. F. 2012 **Evaluation on the microbial interactions of anaerobic ammonium oxidizers and heterotrophs in Anammox biofilm**. *Water Research* **46** (15), 4645–4652.
- Ni, B. J., Joss, A. & Yuan, Z. 2014 **Modeling nitrogen removal with partial nitrification and anammox in one floc-based sequencing batch reactor**. *Water Research* **67**, 321–329. doi:10.1016/j.watres.2014.09.028.
- Ranjbar, F. & Jalali, M. 2015 **The effect of chemical and organic amendments on sodium exchange equilibria in a calcareous sodic soil**. *Environmental Monitoring and Assessment* **187** (11), 1–21.
- Schmid, M., Walsh, K., Webb, R., Rijpstra, W. I. C., van de Pas-Schoonen, K., Verbruggen, M. J., Hill, T., Moffett, B., Fuerst, J., Schouten, S., Damsté, J. S. S., Harris, J., Shaw, P., Jetten, M. & Strous, M. 2003 ***Candidatus* ‘Scalindua brodae’, sp. nov., *Candidatus* ‘Scalindua wagneri’, sp. nov., two new species of anaerobic ammonium oxidizing bacteria**. *Syst. Appl. Microbiol.* **26**, 529–538. doi:10.1078/072320203770865837.
- Suneethi, S., Sri Shalini, S. & Joseph, K. 2014 **State of the art strategies for successful ANAMMOX startup and development: a review**. *Int. J. Waste Resour.* **4**, 2. doi:10.4172/2252-5211.1000168.
- Tan, C. H., Lee, K. W. K., Burmølle, M., Kjelleberg, S. & Rice, S. A. 2017 **All together now: experimental multispecies biofilm model systems**. *Environmental Microbiology* **19** (1), 42–53.
- Zarda, B., Amann, R., Wallner, G. & Schleifer, K.-H. 1991 **Identification of single bacterial cells using digoxigenin-labelled, rRNA-targeted oligonucleotides**. *Microbiology* **137**, 2823–2830.
- Zhu, A., Guo, J., Ni, B. J., Wang, S., Yang, Q. & Peng, Y. 2016 **A novel protocol for model calibration in biological wastewater treatment**. In: *Environmental Engineering and Activated Sludge Processes: Models, Methodologies, and Applications* (O. Sánchez, ed.). Apple Academic Press, Waretown, NJ, USA, pp. 23–47.

First received 21 July 2017; accepted in revised form 11 February 2018. Available online 23 February 2018