

Protein Kinase C Function in Muscle, Liver, and β -Cells and Its Therapeutic Implications for Type 2 Diabetes

Carsten Schmitz-Peiffer and Trevor J. Biden

Increased lipid availability is strongly associated with both β -cell dysfunction and insulin resistance, two key facets of type 2 diabetes. Isoforms of the protein kinase C (PKC) family have been viewed as candidates for mediating the effects of fat oversupply because they are lipid-dependent kinases with wide-ranging roles in signal transduction, including the positive and negative modulation of insulin action. Until recently, their involvement was based on correlative studies, but now causative roles for distinct PKC isoforms have also been addressed, in both pancreatic β -cells and insulin-sensitive tissues. Our goal here, therefore, is to review the hitherto disparate fields of PKC function in insulin signaling/resistance on the one hand and in regulating β -cell biology on the other hand. By integrating these two areas, we provide a reappraisal of the current paradigm regarding PKC and type 2 diabetes. In particular, we propose that PKC ϵ warrants further investigation, not merely as a treatment for insulin resistance as previously supposed, but also as a positive regulator of insulin availability.

DIACYLGLYCEROL-MEDIATED ACTIVATION OF PROTEIN KINASE C

The protein kinase C (PKC) family comprises 10 isoforms that have been subdivided into three groups (Fig. 1) based on sequence homology and mechanisms of activation (rev. in 1). While differentiated by their sensitivity to Ca^{2+} , both the conventional PKCs (cPKC α , β , and γ) and novel PKCs (nPKC δ , ϵ , η , and θ) are dependent on diacylglycerol (DAG) for full activation. These isoforms are therefore responsive to the stimulation of G protein-coupled receptors or receptor tyrosine kinases, which activate phospholipase C, inducing the hydrolysis of phosphatidylinositol 4,5-bisphosphate at the plasma membrane and the resultant generation of DAG and Ca^{2+} . Evidence for the acute elevation of DAG in this fashion by insulin was reported in early studies (2), although the identities of the putative phospholipase(s) and phospholipid substrates involved were never clarified. On the other hand, chronic elevation of DAG through de novo synthesis during periods of lipid oversupply, as in the case of obesity, has been widely correlated with cPKC and nPKC activation, although in this case, DAG is first synthesized in the endoplasmic

reticulum, perhaps resulting in PKC activation at intracellular sites.

As a consequence of the interaction between PKC and membrane-delimited DAG, cPKC and nPKC isoforms generally translocate from a cytosolic to a membrane-associated compartment. PKC isoform translocation, observed by immunoblotting subcellular fractions, is thus commonly used as an indication of activation, particularly because in vitro kinase assays discriminate poorly between isoforms. Longer-term stimulation leads to PKC downregulation by proteolysis, although susceptibility varies between isoforms and depends on cell type.

PKCs AS INSULIN SIGNAL TRANSDUCERS

The atypical isoforms (aPKC ζ and aPKC ι/λ) constitute a third group within the PKC family and are independent of both Ca^{2+} and DAG (Fig. 1). (There is confusion in the literature concerning PKC λ [3], which is not a distinct isoform but in fact the mouse ortholog of human PKC ι [4]. In all species, the gene symbol for this isoform is now Prkci.) Instead, these kinases can be activated in response to stimulation of the insulin receptor substrate (IRS)/phosphatidylinositol (PI) 3-kinase pathway, which enables phosphorylation of aPKCs at the "activation loop" near the catalytic site by PI 3-dependent kinase 1 (5).

Atypical PKCs signal in parallel to Akt in muscle and adipose tissue during the stimulation of glucose metabolism, especially via translocation of GLUT4 (6). There appears to be redundancy between aPKC ζ and aPKC ι in this respect because one can substitute for the other in overexpression studies. Diminished IRS-1/PI 3-kinase-dependent aPKC activation is observed in muscle and adipose tissue during insulin resistance and type 2 diabetes (6) but remains intact in liver. In this instance, activation occurs predominantly through the IRS-2/PI 3-kinase pathway and is more important for the lipogenic action of insulin, so its continued function may play a role in lipid dysregulation upon hyperinsulinemia in insulin-resistant states (6).

Insulin has also been reported to stimulate the activity of cPKC and nPKC isoforms to promote glucose disposal (7). Putative mechanisms of activation include tyrosine phosphorylation of PKC δ and alternative splicing of PKC β to increase PKC β II levels, but these have not been widely substantiated, and the positive effects of these kinases need to be reconciled with the negative regulation of insulin action detailed below.

PKC AND INSULIN RESISTANCE

An association between PKC activation and insulin resistance in skeletal muscle became apparent from studies linking PKC translocation with defective insulin-stimulated glucose metabolism (8–10). Most often, nPKC isoforms, especially PKC θ and PKC ϵ , were implicated

From the Garvan Institute of Medical Research, Darlinghurst, Australia.

Corresponding author: Trevor J. Biden, t.biden@garvan.org.au.

Received 16 January 2008 and accepted 15 April 2008.

DOI: 10.2337/db07-1769

© 2008 by the American Diabetes Association. Readers may use this article as long as the work is properly cited, the use is educational and not for profit, and the work is not altered. See <http://creativecommons.org/licenses/by-nc-nd/3.0/> for details.

The costs of publication of this article were defrayed in part by the payment of page charges. This article must therefore be hereby marked "advertisement" in accordance with 18 U.S.C. Section 1734 solely to indicate this fact.

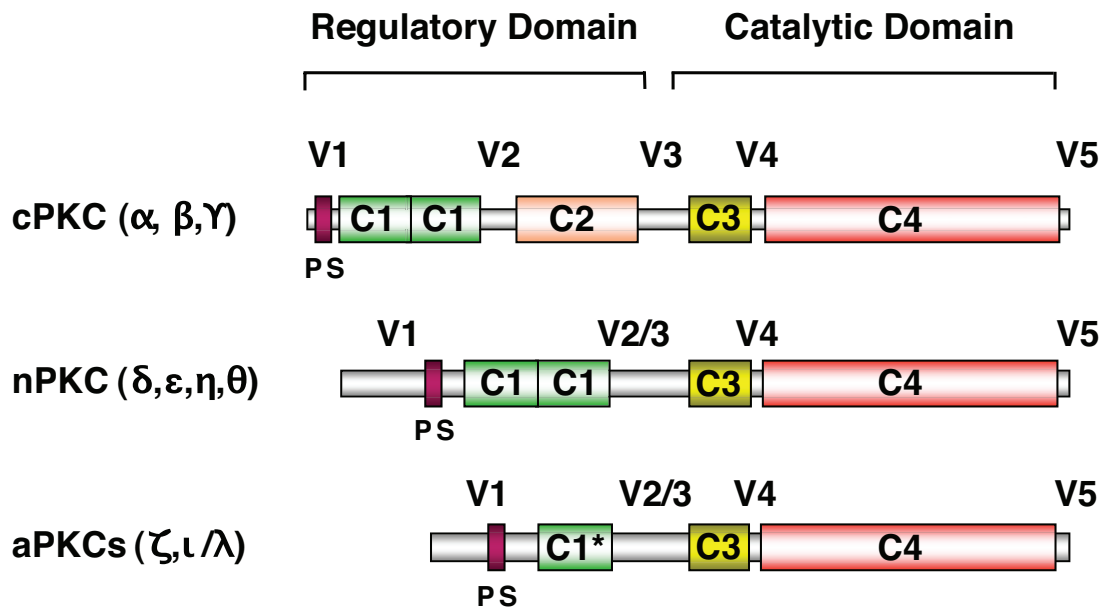


FIG. 1. The PKC family of lipid-activated protein kinases. PKC isoforms contain constant regions (C1–4) and variable regions (V1–5) and can be divided into three subgroups. cPKCs are activated in the presence of calcium, which binds to the C2 domain, and DAG, which binds to the C1 domains. nPKCs lack C2 domains and are Ca^{2+} -independent but still require DAG for full activation. aPKCs possess only one nonfunctional C1 domain (C1*) and no C2 domain and are both Ca^{2+} - and DAG-independent. The C3 regions (ATP-binding) and C4 regions (protein substrate binding) are highly conserved between isoforms. In each case, the pseudosubstrate (PS) sequences, found in the V1 variable region, interfere with the catalytic domains to inhibit substrate phosphorylation until conformational changes induced by activators allow full activation.

together with an elevation of lipid intermediates such as DAG. Thus, skeletal muscle from rats fed a high-fat diet for 3 weeks exhibited an increase in the translocation of PKC θ and PKC ϵ in conjunction with elevated lipid content and diminished glucose disposal (11). PKC redistribution was reversed upon treatment with the insulin sensitizer rosiglitazone (12). Similar alterations in nPKC isoforms were also observed in genetic models of obesity and diabetes (13,14). In more acute models of insulin resistance, PKC θ translocation was also observed after 5-h lipid infusion (15), whereas 1- or 4-day infusion of glucose, which increased muscle lipid content, promoted activation of PKC ϵ (16).

PKC ϵ has been the isoform most often implicated in the generation of insulin resistance in liver. This was initially demonstrated using liver biopsies from obese subjects with type 2 diabetes (17). In addition, short-term (3-day) fat feeding of rats, which induces hepatic steatosis, led to translocation of PKC ϵ in concert with a diminished ability of insulin to reduce endogenous glucose production (18). Other isoforms have been implicated to a lesser extent. Alterations in the cellular localization of PKC α and PKC ζ , in addition to PKC ϵ , were observed in diabetic liver (17). PKC δ translocation has also been observed in muscle of high-fat fed rats (11), as well as after lipid infusion in both liver (19) and muscle where PKC β was also activated (20). These studies support the hypothesis that activation of one or more PKC isoforms through increased lipid availability, especially PKC θ and PKC ϵ , can interfere with insulin-stimulated glucose disposal. It is not clear why nPKC isoforms are more often implicated in these studies when cPKCs are also sensitive to elevations in DAG. This may be related to the additional sensitivity of cPKCs to Ca^{2+} , which may not become elevated upon fat oversupply.

MECHANISMS OF PKC-INDUCED INSULIN RESISTANCE

PKC has been reported to inhibit several components of the insulin signaling cascade, as well as downstream metabolic enzymes such as glycogen synthase (rev. in 10). These studies were often based on in vitro phosphorylation or overexpression of PKC and potential substrates in cultured cells and require careful interpretation. In vivo, PKC has also been suggested to act indirectly, such as by upregulation of inflammatory pathways (21). Nevertheless, most studies have addressed the simpler hypothesis that PKC directly phosphorylates serine residues of the insulin receptor substrates, especially IRS-1 (Fig. 2). This results in diminished tyrosine phosphorylation of IRS-1, reduced downstream signaling through the PI 3-kinase/Akt pathway to glucose metabolism, and, ultimately, enhanced IRS-1 degradation (22,23). Several PKC isoforms, especially PKC δ , have been shown to phosphorylate IRS-1 directly, at least in vitro or in intact cells (Table 1). In addition, PKC may act upstream of other ser/thr kinases (24–26). Thus, PKC activation may enhance the ability of kinases, such as Jun NH₂-terminal kinase (JNK) and inhibitor of κ B kinase (IKK)- β , to phosphorylate IRS-1 at Ser-307, a key regulatory site located close to the domain that interacts with the insulin receptor (27). PKC may also act upstream of p42/44 MAPK to promote Ser-612 phosphorylation, which more specifically modulates PI 3-kinase activation (28,29).

The insulin receptor itself, as well as IRS-1, may be a site of negative regulation by PKC (Fig. 2), particularly PKC ϵ . While direct phosphorylation by PKC does not appear to modulate tyrosine kinase activity (41), an interaction of PKC ϵ with the receptor in liver may affect its ability to phosphorylate its substrates (42). Alternatively, such an association may affect insulin receptor trafficking in hepatocytes (43) and hence both the clearance of insulin by the liver (44) and degradation of the receptor itself (14).

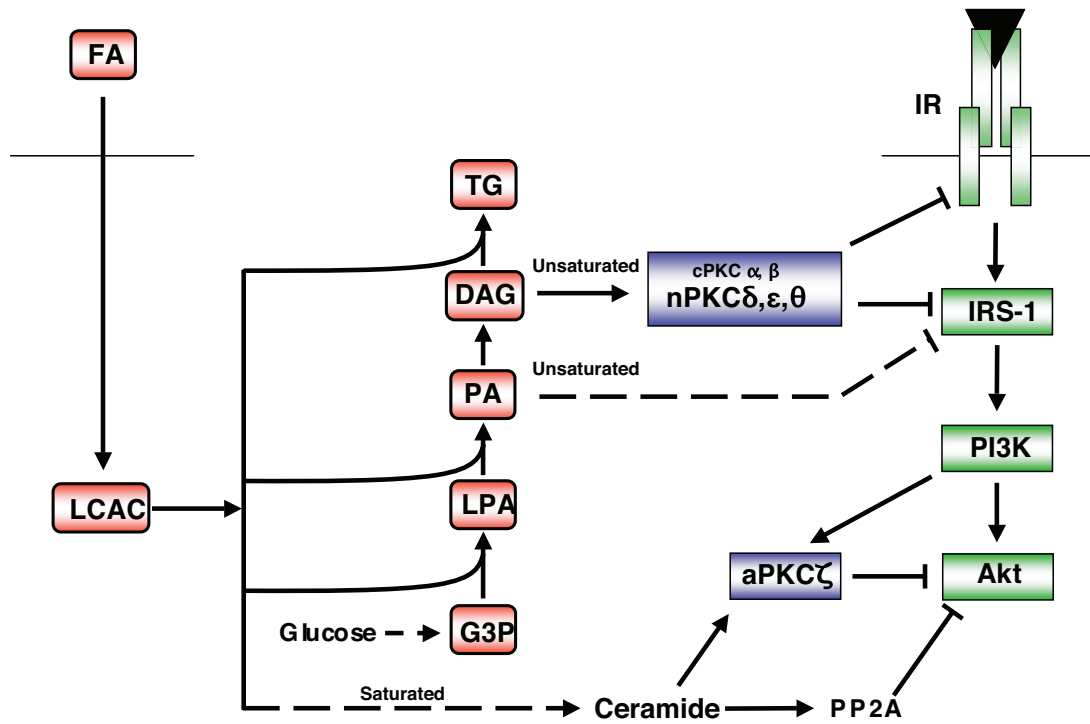


FIG. 2. Lipid oversupply leads to the generation of distinct intracellular mediators of insulin resistance. Fatty acids entering the cell are activated by the formation of LCAC. Saturated fatty acid favors ceramide accumulation due to the requirement for palmitate during de novo synthesis, which in turn leads to the inhibition of Akt, in part due to aPKCζ action. In contrast, DAG species derived from unsaturated fatty acids favor nPKC activation and inhibition at the level of the insulin receptor (IR), or IRS-1. In addition, another unsaturated fatty acid-derived species, dilinoleoyl-phosphatidic acid (PA), can reduce IRS-1 tyrosine phosphorylation in a PKC-independent manner (49). G3P, glycerol 3-phosphate; LPA, lysophosphatidic acid; TG, triglyceride. See text for further details.

THE RELATIONSHIP BETWEEN DAG ACCUMULATION, PKC ACTIVATION, AND INSULIN RESISTANCE

The studies described above have helped to establish the hypothesis that aberrant PKC activation plays a role in the development of insulin resistance. It is generally assumed that elevations in DAG, secondary to intracellular lipid accumulation, provide the essential link in this scheme. But intracellular DAG could also be increased by insulin (45) or from de novo synthesis from glucose (46). Thus, PKCs may contribute to the secondary insulin resistance caused by the hyperinsulinemia and/or hyperglycemia occurring in the glucose-intolerant state. A further corollary of these and similar studies is that different species of fatty acids induce insulin resistance via different mechanisms (rev. in 8). PKC activation is relatively specific to

DAG species composed of unsaturated fatty acid side chains (47). Thus, we have demonstrated that the elevation in DAG observed in muscle cells treated with the saturated fatty acid palmitate does not greatly stimulate PKC translocation, while the relatively minor DAG changes caused by unsaturated fatty acids can do so (48,49). Because both saturated and unsaturated fatty acids cause insulin resistance, this supports the contention that saturated fatty acids do not act principally via the DAG/PKC pathway, but through other mechanisms including ceramide-dependent signaling (50–53). (Ceramide is a potential activator of aPKCζ [Fig. 2], and a cross-talk mechanism involving sequestration of Akt by PKCζ in caveolae has also been proposed to contribute to the disruption of insulin signaling caused by saturated fatty acids [52].)

TABLE 1
PKC-mediated IRS-1 phosphorylation

	Action	Effect	Reference
PKCα	IRS-1 Ser/Thr phosphorylation	Inhibition of IR kinase activity	30
	IRS-1 Ser24 phosphorylation	Reduced IRS-1 phosphatidylinositol-4,5-bisphosphate binding	31
PKCδ	IRS-1 Ser/Thr phosphorylation	Inhibition of IR kinase activity	30
	IRS-1 Ser307,323,574 phosphorylation	Reduced IRS-1 Tyr phosphorylation	32
	IRS-1 Ser24 phosphorylation	Reduced IRS-1 phosphatidylinositol-4,5-bisphosphate binding	33
	IRS-1 Ser318 phosphorylation	Early positive but longer-term negative regulation of IRS-1 signaling	34
PKCθ	IRS-1 Ser357 phosphorylation	Reduced IRS-1 Tyr phosphorylation	35
	IRS-1 Ser/Thr phosphorylation	Inhibition of IR kinase activity	30
PKCζ	IRS-1 Ser1101 phosphorylation	Reduced IRS-1 Tyr phosphorylation	36
	IRS-1 Ser/Thr phosphorylation	Reduced IRS-1 Tyr phosphorylation	37,38
	IRS-1 Ser318 phosphorylation	Reduced IRS-1 Tyr phosphorylation	39,40

IRS-1 phosphorylation sites are listed as they appear in individual references. Ser302, 307, and 318 in mouse IRS-1 are Ser307, 312, and 323 in human IRS-1. IR, insulin receptor.

The integral link between specific fatty acids, DAG, and PKC activation has been confirmed in studies addressing the effects of DAG kinase (DGK) isoforms, which lower intracellular DAG levels and reverse the activation of PKC, but these have also highlighted the complexity of DAG signaling (49,54,55). On the one hand, a reduction in DGK δ activity potentially contributes to hyperglycemia-induced activation of PKC δ and the resultant inhibition of insulin signaling in skeletal muscle from subjects with type 2 diabetes (55). On the other hand, overexpression of DGK ϵ in muscle cells, while reducing the activation of several PKCs as expected because of chronic exposure to unsaturated fatty acid, in fact compounds defects in insulin signaling (49). Such discrepancies are perhaps explained by the different substrate specificities, regulation, and cellular localization of the DGK isoforms (56) involved. In addition, and taken together with the failure of dominant-negative nPKC mutants to overcome insulin resistance in cultured myotubes (48), it can be argued that the diminished insulin action arising from lipid oversupply is not always simply explained by the accompanying DAG accumulation and PKC activation. Indeed, other lipid intermediates such as dilinoleoyl-phosphatidic acid (49) have been recently implicated as mediating insulin resistance induced by unsaturated fatty acids via pathways independent of PKC. This makes it essential to define precisely the situations where PKC does play a role and to quantify its contribution using *in vivo* models.

RECENT FINDINGS FROM PKC TRANSGENIC AND KNOCKOUT MICE

The importance of the correlation between the translocation of various PKC isoforms and insulin resistance has now been addressed in a more causative fashion, mostly using PKC knockout mice. Deletion studies of conventional PKC isoforms have argued against these enzymes acting to significantly reduce insulin action *in vivo* (57,58), although it now appears that PKC β can impinge on this indirectly by reducing lipid oxidation in adipose tissue and thereby enhancing fat accumulation (59).

PKC θ has been extensively investigated, because it is relatively highly expressed in skeletal muscle compared with other tissues, suggesting it as a prime candidate for regulating glucose homeostasis. A complex picture has emerged. First, PKC θ knockout mice are protected against the short-term insulin resistance and defective insulin signaling in skeletal muscle generated by acute lipid infusion (60). In contrast, longer-term studies revealed that these animals exhibit an increased susceptibility to obesity and diet-induced insulin resistance (61). Likewise, a dominant-negative approach to block PKC θ by overexpressing a kinase-inactive mutant in skeletal muscle also resulted in obesity, glucose intolerance, and hyperinsulinemia (62). It therefore appears that while PKC θ can acutely inhibit insulin signal transduction, it plays other important roles that protect against obesity. Pertinently, activation of PKC θ has usually been inferred from an increased membrane-to-cytosolic ratio, but this is often the consequence of the reduction in cytosolic protein rather than an increase in membrane association (11,12,63). These features could equally be interpreted as an overall downregulation of PKC θ and diminished functional capacity, consistent with it playing a positive role in insulin sensitivity in the longer term.

Other studies addressing causation have indicated mul-

iple roles for hepatic PKC ϵ in the modulation of glucose homeostasis. Antisense oligonucleotides against PKC ϵ were able to reverse a defect in insulin receptor kinase activity and the suppression of hepatic glucose production observed in rats fed for 3 days on a high-fat diet based on safflower oil (rich in the unsaturated fatty acid linoleate) (42). This extends the correlation between PKC ϵ translocation and liver insulin resistance observed under short-term conditions (18). In contrast, no improvement in hepatic insulin signaling was observed in mice globally deleted in PKC ϵ and maintained on a long-term diet rich in saturated fatty acids and sucrose, which induces obesity and profound insulin resistance (44). Surprisingly, however, glucose tolerance was completely restored in the PKC ϵ knockout mice. This was explained by a greater availability of insulin, which compensated for, rather than reversed, insulin resistance. Two phenotypes in the PKC ϵ null mice contributed to this compensation: an enhancement in glucose-stimulated insulin secretion by pancreatic β -cells (see below) and a reduction in hepatic insulin clearance (44). Importantly, there was no increase in hepatic triglyceride or fatty acid content in PKC ϵ knockout mice, indicating that the transiently enhanced insulin levels in response to a glucose challenge did not promote steatosis.

The contrasting interpretations of the role of PKC ϵ in hepatic insulin action arising from these studies might be explained by differences in both the type and the duration of the fat diets used (42,44). First, the use of a diet rich in unsaturated fat is more likely to activate PKC (48), while a saturated fat diet may act predominantly through the elevation of ceramide (50,51,53). Second, it is possible that PKC ϵ contributes significantly to hepatic insulin resistance in an acute fashion but that other PKC ϵ -independent mechanisms become prevalent over time, such that PKC ϵ deletion is no longer sufficient to protect insulin signaling. Finally, compensation for PKC ϵ deletion by other PKC isoforms, such as PKC δ , might occur in liver and muscle, but not in β -cells. Under these conditions, enhanced insulin secretion (see below) might overcome the ongoing loss of insulin sensitivity because of the high-fat diet.

Overall, it can be concluded that individual PKC isoforms, especially PKC θ and PKC ϵ , play multiple roles in the modulation of insulin action, even within one particular tissue such as muscle or liver. In the case of PKC θ , these roles appear to be discordant, making this enzyme less suitable as a therapeutic target. In contrast, although deletion or reduction of PKC ϵ has been shown to produce divergent effects, collectively these should all be beneficial for glucose homeostasis. It still remains to be determined, however, whether the key mechanism of action of PKC ϵ relates to the generation of insulin resistance, as originally envisioned, or whether the newly recognized role in regulating insulin availability predominates.

PKC IN B-CELLS

Surprisingly, given the longstanding focus on PKCs in insulin resistance, there have been relatively few studies addressing a corresponding role in β -cell dysfunction. Before describing this work, however, it is necessary to outline what is known about the normal physiological functions of PKC in β -cells, particularly its controversial role in nutrient-stimulated insulin secretion and its regulation of β -cell mass. Other aspects less directly relevant to type 2 diabetes, such as the well-established involvement

of PKC downstream of muscarinic cholinergic receptors, have been reviewed elsewhere and will not be addressed further here (64,65).

PKC ISOFORMS AND GLUCOSE-STIMULATED INSULIN SECRETION

It has been known for more than 25 years that activation of PKC, using pharmacological stimulators such as phorbol esters, was sufficient to augment insulin secretion, particularly in conjunction with a stimulus that raised intracellular Ca^{2+} (66). Because glucose promoted phosphoinositide hydrolysis in β -cells, secondary to voltage-gated Ca^{2+} influx and a Ca^{2+} -dependent stimulation of phospholipase C (67), it was envisioned that the DAG/PKC pathway might contribute to glucose-stimulated insulin secretion (GSIS). However, DAG could also be generated via de novo synthesis, either from glucose directly (68,69) or secondarily to a switch in endogenous fatty acid metabolism away from β -oxidation and toward esterification products. The latter phenomenon has been widely documented and arises via glucose-enhanced anaplerosis leading to increases in malonyl CoA, which subsequently inhibits CPT1, a key control point of β -oxidation (70). The further realization that CoA derivatives of long-chain fatty acids (long-chain acyl-CoA [LCAC]) could themselves activate PKCs has underpinned ongoing support for this proposed signaling function of lipid partitioning. Thus, irrespective of whether PKC activation was triggered by DAG generated from phosphoinositide hydrolysis or by LCACs from endogenous metabolism, the net result would be an amplification of the more proximal Ca^{2+} -dependent signals that initiate GSIS (70,71).

Nevertheless, for technical reasons, it has been difficult to prove or disprove this role of PKC. Rat and mouse islets and (to variable extents) β -cell lines express multiple PKC isoforms, including PKC α , β_{II} , δ , ϵ , ζ , and ι (72–75). Moreover, the framework within which PKCs function might differ between rat and mouse β -cells. Rat islets display a second phase of GSIS, which is both greatly exaggerated compared with mouse and much more sensitive to the (nonspecific) PKC inhibitor staurosporine (76). Human islets behave more similarly to mouse than to rat islets, displaying a modest second phase that is resistant to staurosporine (69,77). Another technical limitation is that although measuring PKC translocation by immunoblotting is more specific than activity assays, this may suffer from redistribution artifacts during sample processing. Subcellular localization by microscopy is potentially compounded by cross-reactivity of antisera (for studies of endogenous protein) or overexpression artifacts (when using transfected reporters). Optimal visualization of the latter often also relies on complex correction of background signals and/or somewhat artificial conditions.

Nevertheless, there is a general consensus that glucose promotes a rapid Ca^{2+} -dependent translocation of cPKC isoforms (particularly PKC α) to the plasma membrane (78–80). Glucose also stimulates a redistribution of PKC ϵ , in this case independently of Ca^{2+} (79,81), to sites containing insulin granules at either the plasma membrane (82) or near the nucleus (83). Translocation does not necessarily equate to functional activation, however, and demonstrations of glucose-stimulated phosphorylation of PKC substrates in β -cells have been inconsistent or poorly correlated with secretion (75,84–86). We demonstrated that glucose normally induces only a modest and transient

increase in phosphorylation of cPKC substrates in islets, but this is significantly enhanced in the presence of phosphatase inhibitors (75). This implies that a concomitant stimulation of protein phosphatases by glucose (64) might counteract the consequences of PKC activation.

Determining whether PKC activation is necessary for GSIS has also been problematic. Global downregulation of PKC activity by chronic exposure to phorbol esters, or using nonspecific inhibitors, has produced variable results (84–88) possibly explained by species differences. Nevertheless, there is consistent evidence that inhibitors of conventional PKCs completely block insulin secretion in response to phorbol esters, but affect GSIS only modestly at best (75,86,89,90). Overexpression of a kinase-dead PKC α construct in rat islets augmented first-phase, and slightly diminished second-phase, GSIS in batch incubations (91), but this was not observed when assessed directly using islet perfusion (75). Thus, the general conclusion from these studies is that conventional PKCs are not required for a robust first- or second-phase GSIS, although their activation by glucose might exert a minor modulatory influence.

A role for PKC ϵ in GSIS has also been proposed (79,82). In one study, in which rat islets were “skinned” to facilitate entry of a PKC ϵ inhibitory peptide, a partial requirement for PKC ϵ in GSIS was demonstrated (79). Using the same peptide, but in a cell-permeant form, we observed no requirement for PKC ϵ in GSIS from mouse islets (44). Another report concluded that overexpression of PKC ϵ in β -cells of *ob/ob* mice was sufficient to enhance secretion, although this was not assayed directly, but extrapolated from changes in membrane capacitance during the initial recording (82). Capacitance changes due to glibenclamide (82) or inositol hexakisphosphate (92) were also blocked by kinase-dead and/or antisense constructs, but this approach was not extended to examine a direct requirement of PKC ϵ in GSIS. In contrast, using PKC ϵ knockout mice, glucose tolerance and insulin excursions during whole-body glucose tolerance tests were similar to wild-type animals (44). Likewise, no differences in GSIS were observed when control and PKC ϵ null islets were compared in batch incubations or perfusion studies *ex vivo* (44).

PKC AND INSULIN SECRETION DUE TO FATTY ACIDS

There are also indications of PKC involvement in the potentiation of GSIS by fatty acids (71). First, treatment of β -cells with fatty acids has been variously shown to activate PKC (93–96). Second, general PKC inhibitors partially attenuate the enhancement of insulin secretion due to fatty acids (97–99), even in mouse islets where these inhibitors barely affect GSIS (97,98). Isoform specificity is uncertain, since selective inhibitors or overexpression strategies have not been used in this context. Most evidence, however, points to an involvement of non-cPKCs and therefore novel or atypical isoforms (99–101). Early studies emphasized the importance of endogenous lipid metabolism, and especially a switch from β -oxidation to esterification products, in the mechanism of activation (94). This is consistent with demonstrations that the novel PKCs in particular can be directly activated by LCACs (96). Another possibility, yet to be explored fully, is that PKC could be activated downstream of the cell surface GPR40 receptor, which binds a variety of fatty acids and is known to couple to phospholipase C and hence presumably to phosphoinositide hydrolysis (102).

REGULATION OF B-CELL MASS OR DIFFERENTIATION BY PKC

There is strong evidence to suggest that PKC ζ positively regulates β -cell proliferation in response to a variety of growth factors, although the signaling partners up- and downstream of PKC ζ are yet to be determined (103–105). Specificity was confirmed in one study by demonstrating that proliferation was not altered by knockdown of PKC ι expression (105), consistent with observations that islets from PKC ι knockout mice are no smaller than those from wild-type animals (106). There is also evidence that PKC ζ can positively regulate expression of the key β -cell transcription factor Pdx-1 in response to either IGF-1 (104) or glucose (107). This would seem more relevant to the control of differentiation, as opposed to proliferation, and is consistent with a requirement for PKC ζ in the glucose-dependent expression of K⁺ channel subunits required for GSIS (108). A developmental role for PKC ι has also been strongly supported. PKC ι knockout mice display defective GSIS *in vivo* and *ex vivo*, but this is explained less by a specific role in stimulus secretion coupling than by a general effect on β -cell differentiation exerted upstream of the HNF3 β transcription factor (106). This is not dissimilar to the purported roles of PKC ζ in the glucose-dependent differentiation program described above (107,108) and so may point to redundant roles for aPKCs in this particular instance.

There is less extensive evidence for involvement of nPKC isoforms in regulating β -cell mass. Fatty acids disrupt signaling downstream of receptors important for β -cell proliferation, and nPKC isoforms have been implicated in this context (96). Islet mass was not altered by PKC ϵ deletion in mice maintained on a chow diet (44). On a high-fat diet, however, islet cell mass and proliferation were augmented in wild-type animals in partial compensation for the accompanying insulin resistance. These increases in mass and proliferation were not observed in the PKC ϵ knockout mice (44). This may represent an adaptive response, in that compensation would no longer be required because of the improved glucose tolerance observed under these conditions. Alternatively, PKC ϵ might play a more active role in β -cell proliferation, which is absent in the knockout mice. Further work is required to resolve these issues.

As in many cell types, PKC δ exerts a pro-apoptotic role in pancreatic β -cells (95,109,110). This was first shown in cytokine-mediated cell destruction and involved an increase in mRNA stabilization for transcripts of inducible NO synthase (109). A more distal role, secondary to generation of a constitutively active PKC δ fragment after its cleavage by caspase 3, was also implicated (110). Inhibition of PKC δ also partially protected against lipopoptosis (95). In this instance, activation appeared to be downstream of G $_q$, which potentially implicates a receptor such as GPR40. Further investigation of this role of PKC δ would be of interest. Seemingly at odds with this pro-apoptotic function, other authors have demonstrated a partial requirement in GSIS using islets from PKC δ knockout mice (111). This contrasted with an earlier study using overexpression of kinase-dead PKC δ in isolated rat islets using adenovirus (75). Moreover, translocation of PKC δ has never been observed when tested in response to glucose (80,83,100,111).

PKC IN SECRETORY DYSFUNCTION OF B-CELLS

We have recently established an unexpected role for PKC ϵ in the development of β -cell lipotoxicity (44). As discussed above, deletion of PKC ϵ resulted in a normalization of glucose tolerance in fat-fed mice because of an enhancement of insulin availability rather than improved insulin sensitivity. This was confirmed by comparing GSIS from wild-type or PKC ϵ null islets chronically exposed to elevated fatty acids *ex vivo*. The secretory defects induced under these conditions were prevented by deletion of PKC ϵ , and likewise GSIS was improved in islets of diabetic *db/db* mice when treated *ex vivo* with a PKC ϵ inhibitory peptide. In all cases, *in vivo* and *ex vivo*, the enhancement of insulin secretion was dependent on a diabetic milieu or prior lipid exposure; unimpaired GSIS was not altered by functional inhibition of PKC ϵ (44). This suggests that activation of PKC ϵ is either intimately involved in the actual process whereby secretory defects are induced by chronically elevated fatty acid or lipid overload or that it acts proximally to that process.

PKC ϵ most probably affects secretion via multiple mechanisms. Deletion of this isoform resulted in slight (~25%) increases in both insulin content and insulin mRNA, suggesting that it might play a minor role in regulating insulin gene expression (44). But the modesty of these increases, and their lack of dependence on prior lipid exposure, suggests they do not make a major contribution to the reversal of defective secretion. Instead, our findings implicated the amplification pathway of GSIS, based on observations of lipid partitioning in β -cells during acute exposure to glucose (44). Normally this is associated with a switch from β -oxidation toward esterification pathways, but chronic pretreatment with fatty acids disrupts this switch by upregulating β -oxidation (70). Deletion of PKC ϵ helps to restore the appropriate balance between esterification and oxidation, and this may contribute to the normalization of insulin secretion (Fig. 3). At present, however, the role of lipid partitioning in regulating GSIS remains somewhat controversial. It is unclear whether this phenomenon is itself causal, activating signaling cascades that augment secretion, or whether it is merely a readout of potentially more important events occurring upstream in anaplerotic pathways (Fig. 3). It is possible that further defining the role of PKC ϵ might actually help resolve some of these basic unsolved questions in stimulus-secretion coupling in β -cells.

PKC AS A THERAPEUTIC TARGET FOR TYPE 2 DIABETES

Much of the work described above is based on the premise that inhibition of PKCs could be of benefit in the treatment of type 2 diabetes. Within that framework, we will now attempt to summarize our view of the current state of the field (Fig. 4). Most speculation over the last decade has centered on PKC antagonists as potential insulin sensitizers. This is based on a body of work demonstrating that PKCs possess the capacity to disrupt insulin signaling and that they are activated in muscle and liver during insulin resistance. A causal relationship, however, between PKC activation and insulin resistance has been difficult to substantiate. In particular, the early promise of PKC θ as potential mediator of muscle insulin resistance has been clouded by an additional role in protecting against obesity (61,62). In liver, inhibition of PKC ϵ might improve insulin sensitivity in short-term models (42); this was not the case

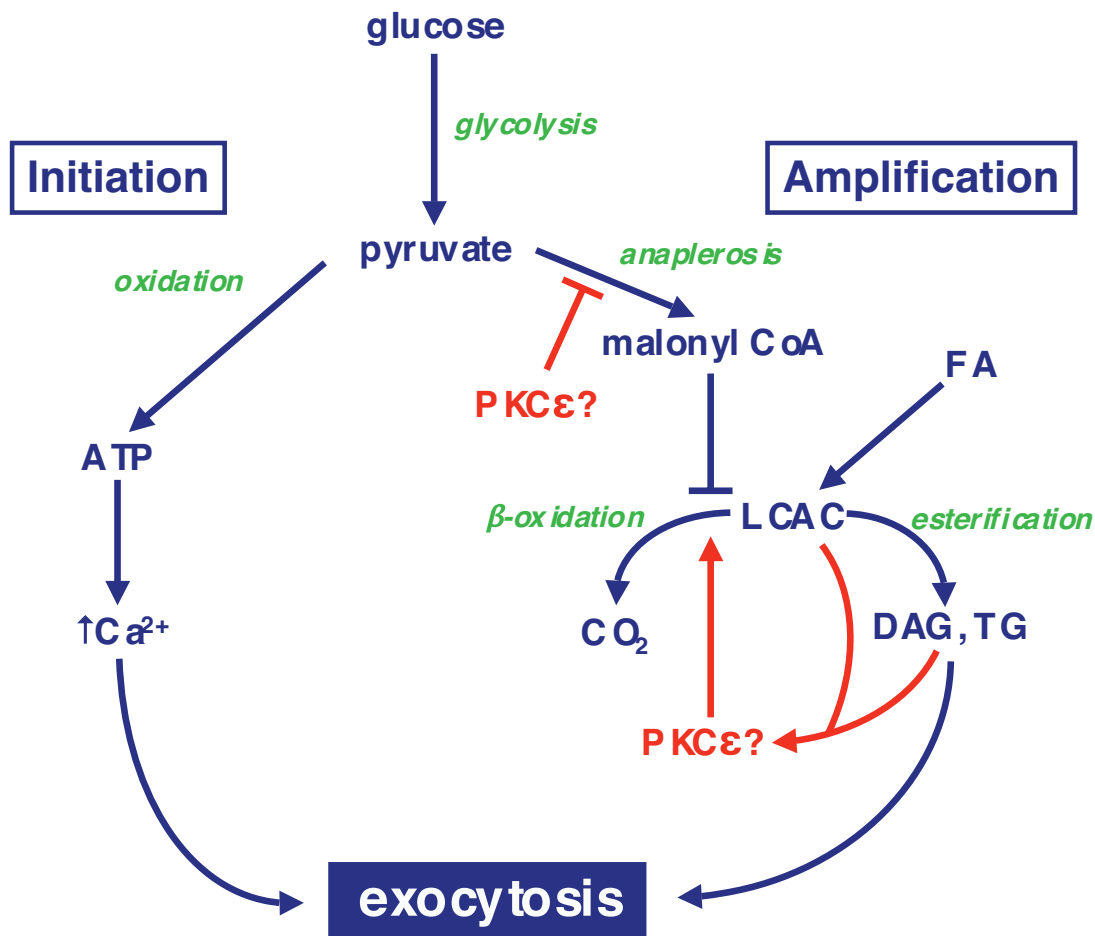


FIG. 3. Putative site of action of PKCε in the amplification pathway of GSIS. Pyruvate, derived from glycolysis, undergoes two metabolic fates in mitochondria that together regulate GSIS. In the initiation pathway, it is subjected to oxidative phosphorylation to generate ATP, which leads to closure of ATP-dependent K⁺ channels, depolarization, and the gating of Ca²⁺ influx. In the amplification pathway, pyruvate augments Krebs cycle intermediates (anaplerosis), some of which can be exported to the cytosol to generate malonyl-CoA. This results in an inhibition of the β-oxidation of LCACs derived from exogenous fatty acids or mobilization of endogenous lipid stores. This favors the formation of esterification products di- or triacylglycerol (DAG or TG, respectively). PKCε, potentially activated by LCACs or DAG, appears to promote oxidation of lipid fuels at the expense of esterification pathways that are implicated in the amplification pathway. Whether PKCε acts directly at this site, or upstream at a step in anaplerosis, remains to be determined. For further explanation, see the text and Ref. 44.

in longer-term dietary regimens that are arguably more representative of obesity-induced insulin resistance (44). Further work is required to resolve these issues, particularly because a compensatory activation of other PKC isoforms may have masked the effects of PKCε deletion on insulin sensitivity in the knockout model. A possible candidate in that regard is PKCδ, which has been implicated in studies of IRS phosphorylation (30,32–35), although its role *in vivo* has not been assessed directly.

Regardless of the ultimate involvement or not of PKCs in insulin resistance, the rationale for targeting PKCs in the treatment of type 2 diabetes has been extended by our recent demonstration of an unexpected role for PKCε in regulating insulin availability (Fig. 4). Indeed, targeting PKCε is likely to have several advantages over existing therapies that enhance insulin secretion. Most importantly, PKCε inhibition appears to act very close to the actual cause of impaired secretion, or at least specifically addresses its consequences. To our knowledge, no other strategy for promoting insulin secretion shows this benefit. Existing therapies, such as sulfonylureas or GLP-1 agonists, bypass the secretory defect rather than addressing it directly. Another advantage is that PKCε deletion selectively augmented the first phase of GSIS, which is

crucial for regulating glucose tolerance and which is lost early in the development of type 2 diabetes. Finally, the effects of inhibiting PKCε in β-cells were complemented by a reduction in hepatic insulin clearance (44). Both aspects contributed to the enhanced availability of insulin. Taken together, these features suggest that a single therapy, based on inhibition of PKCε, could act at multiple sites and in manners different from, and therefore complimentary to, existing treatments for type 2 diabetes.

Obviously, it is difficult to develop truly selective inhibitors of protein kinases and, indeed, it remains to be seen whether other potential consequences of PKCε inhibition might preclude its adoption as a therapy. On the other hand, off-target effects might actually prove to be beneficial if they included, for example, inhibition of PKCδ, which might help preserve β-cell mass and/or overcome insulin resistance (Fig. 4). Regardless of the ultimate clinical utility of PKC inhibitors, however, it seems that there is much useful information to be obtained in the short term by the further study of the roles of PKC in regulating glucose homeostasis. This is a particular need for mechanistic insight into how PKCε controls insulin uptake in hepatocytes and restores GSIS in diabetic β-cells.

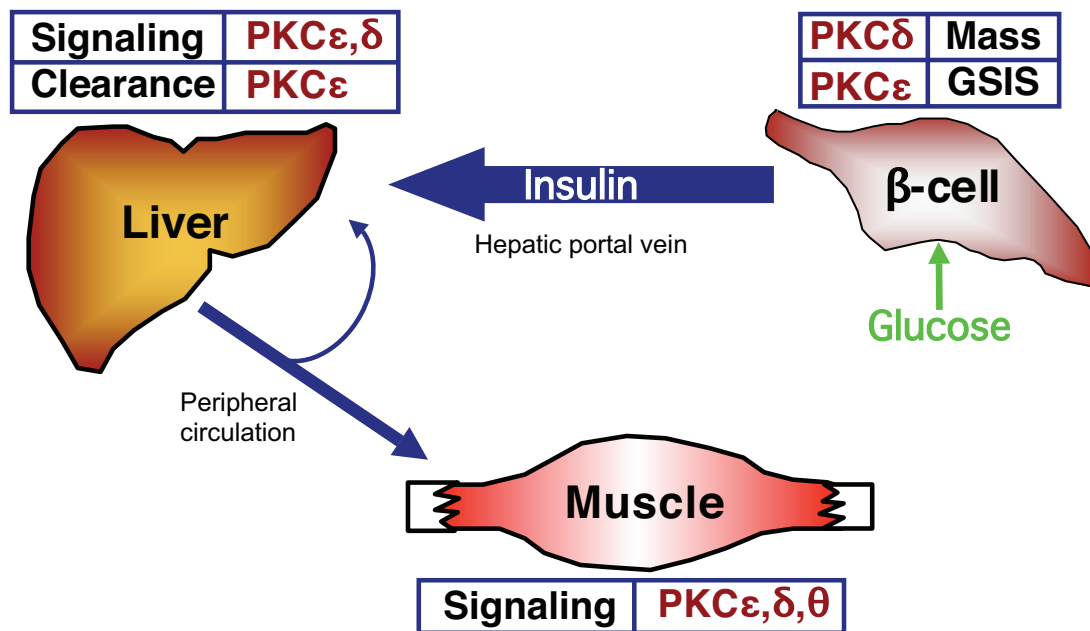


FIG. 4. Potential sites at which individual PKC isoforms might be beneficially targeted for the treatment of type 2 diabetes. Inhibition of PKC ϵ is predicted to improve insulin availability by restoring defective GSIS and by diminishing hepatic insulin clearance. This may also improve insulin sensitivity in liver and muscle. Targeting PKC δ may be of benefit in maintaining β -cell mass and in treating insulin resistance in muscle and liver. See text for details.

ACKNOWLEDGMENTS

Work from the authors' laboratories has been supported by grants from the National Health and Medical Research Council, Diabetes Australia Research Trust, Eli Lilly Australia, and the Juvenile Diabetes Research Foundation. The authors apologize to those whose work could not be cited, owing to lack of space.

REFERENCES

- Mellor H, Parker PJ: The extended protein kinase C superfamily. *Biochem J* 332:281–292, 1998
- Farese RV: Phospholipid signaling systems in insulin action. *Am J Med* 85:36–43, 1988
- Akimoto K, Mizuno K, Osada S, Hirai S, Tanuma S, Suzuki K, Ohno S: A new member of the third class in the protein kinase C family, PKC λ , expressed dominantly in an undifferentiated mouse embryonal carcinoma cell line and also in many tissues and cells. *J Biol Chem* 269:12677–12683, 1994
- Selbie LA, Schmitz-Peiffer C, Sheng YH, Biden TJ: Molecular cloning and characterization of PKC ι , an atypical isoform of protein kinase-C derived from insulin-secreting cells. *J Biol Chem* 268:24296–24302, 1993
- Newton AC: Regulation of the ABC kinases by phosphorylation: protein kinase C as a paradigm. *Biochem J* 370:361–371, 2003
- Farese RV, Sajan MP, Standaert ML: Insulin-sensitive protein kinases (atypical protein kinase C and protein kinase B/Akt): actions and defects in obesity and type II diabetes. *Exp Biol Med* 230:593–605, 2005
- Sampson SR, Cooper DR: Specific protein kinase C isoforms as transducers and modulators of insulin signaling. *Mol Genet Metab* 89:32–47, 2006
- Schmitz-Peiffer C: Signalling aspects of insulin resistance in skeletal muscle: mechanisms induced by lipid oversupply. *Cell Signal* 12:583–594, 2000
- Idris I, Gray S, Donnelly R: Protein kinase C activation: isozyme-specific effects on metabolism and cardiovascular complications in diabetes. *Diabetologia* 44:659–673, 2001
- Schmitz-Peiffer C: Protein kinase C and lipid-induced insulin resistance in skeletal muscle. *Ann N Y Acad Sci* 967:146–157, 2002
- Schmitz-Peiffer C, Browne CL, Oakes ND, Watkinson A, Chisholm DJ, Kraegen EW, Biden TJ: Alterations in the expression and cellular localization of protein kinase C isozymes ϵ and θ are associated with insulin resistance in skeletal muscle of the high-fat-fed rat. *Diabetes* 46:169–178, 1997
- Schmitz-Peiffer C, Oakes ND, Browne CL, Kraegen EW, Biden TJ: Reversal of chronic alterations of skeletal muscle protein kinase C from fat-fed rats by BRL-49653. *Am J Physiol* 273:E915–E921, 1997
- Qu X, Seale JP, Donnelly R: Tissue and isoform-selective activation of protein kinase C in insulin-resistant obese Zucker rats: effects of feeding. *J Endocrinol* 162:207–214, 1999
- Ikeda Y, Olsen GS, Ziv E, Hansen LL, Busch AK, Hansen BF, Shafrir E, Mosthaf-Seedorf L: Cellular mechanism of nutritionally induced insulin resistance in *Psammomys obesus*: overexpression of protein kinase C ϵ in skeletal muscle precedes the onset of hyperinsulinemia and hyperglycemia. *Diabetes* 50:584–592, 2001
- Griffin ME, Marcucci MJ, Cline GW, Bell K, Barucci N, Lee D, Goodyear LJ, Kraegen EW, White MF, Shulman GI: Free fatty acid-induced insulin resistance is associated with activation of protein kinase C θ and alterations in the insulin signaling cascade. *Diabetes* 48:1270–1274, 1999
- Laybutt DR, Schmitz-Peiffer C, Saha AK, Ruderman NB, Biden TJ, Kraegen EW: Muscle lipid accumulation and protein kinase C activation in the insulin-resistant chronically glucose-infused rat. *Am J Physiol* 277:E1070–E1076, 1999
- Considine RV, Nyce MR, Allen LE, Morales LM, Triester S, Serrano J, Colberg J, Lanzajacoby S, Caro JF: Protein kinase C is increased in the liver of humans and rats with noninsulin-dependent diabetes mellitus: an alteration not due to hyperglycemia. *J Clin Invest* 95:2938–2944, 1995
- Samuel VT, Liu ZX, Qu XQ, Elder BD, Bilz S, Befroy D, Romanelli AJ, Shulman GI: Mechanism of hepatic insulin resistance in non-alcoholic fatty liver disease. *J Biol Chem* 279:32345–32353, 2004
- Lam TKT, Yoshii H, Haber CA, Bogdanovic E, Lam L, Fantus IG, Giacca A: Free fatty acid-induced hepatic insulin resistance: a potential role for protein kinase C δ . *Am J Physiol* 283:E682–E691, 2002
- Itani SI, Ruderman NB, Schmieder F, Boden G: Lipid-induced insulin resistance in human muscle is associated with changes in diacylglycerol, protein kinase C, and I κ B- α . *Diabetes* 51:2005–2011, 2002
- Boden G, She P, Mozzoli M, Cheung P, Gumireddy K, Reddy P, Xiang X, Luo Z, Ruderman N: Free fatty acids produce insulin resistance and activate the proinflammatory nuclear factor- κ B pathway in rat liver. *Diabetes* 54:3458–3465, 2005
- Schmitz-Peiffer C, Whitehead JP: IRS-1 regulation in health and disease. *IUBMB Life* 55:367–374, 2003
- Zick Y: Ser/Thr phosphorylation of IRS proteins: a molecular basis for insulin resistance. *Sci STKE* 2005:pe4, 2005
- Khoshnan A, Bae D, Tindell CA, Nel AE: The physical association of protein kinase C θ with a lipid raft-associated inhibitor of κ B factor kinase (IKK) complex plays a role in the activation of the NF- κ B cascade by TCR and CD28. *J Immunol* 165:6933–6940, 2000
- Tojima Y, Fujimoto A, Delhase M, Chen Y, Hatakeyama S, Nakayama K, Kaneko Y, Nimura Y, Motoyama N, Ikeda K, Karin M, Nakanishi M: NAK is an I κ B kinase-activating kinase. *Nature* 404:778–782, 2000

26. Jaeschke A, Davis RJ: Metabolic stress signaling mediated by mixed-lineage kinases. *Mol Cell Neurosci* 27:498–508, 2007
27. Aguirre V, Werner ED, Giraud J, Lee YH, Shoelson SE, White MF: Phosphorylation of Ser(307) in insulin receptor substrate-1 blocks interactions with the insulin receptor and inhibits insulin action. *J Biol Chem* 277:1531–1537, 2002
28. De Fea K, Roth RA: Protein kinase c modulation of insulin receptor substrate-1 tyrosine phosphorylation requires serine 612. *Biochemistry* 36:12939–12947, 1997
29. De Fea K, Roth RA: Modulation of insulin receptor substrate-1 tyrosine phosphorylation and function by mitogen-activated protein kinase. *J Biol Chem* 272:31400–31406, 1997
30. Kellerer M, Mushack J, Seffer E, Mischak H, Ullrich A, Haring HU: Protein kinase c isoforms α , δ , θ , and require insulin receptor substrate-1 to inhibit the tyrosine kinase activity of the insulin receptor in human kidney embryonic cells (hek 293 cells). *Diabetologia* 41:833–838, 1998
31. Nawaratne R, Gray A, Jorgensen CH, Downes CP, Siddle K, Sethi JK: Regulation of insulin receptor substrate 1 pleckstrin homology domain by protein kinase C: role of serine 24 phosphorylation. *Mol Endocrinol* 20:1838–1852, 2006
32. Greene MW, Morrice N, Garofalo RS, Roth RA: Modulation of human insulin receptor substrate-1 tyrosine phosphorylation by protein kinase C δ . *Biochem J* 378:105–116, 2004
33. Greene MW, Ruhoff MS, Roth RA, Kim JA, Quon MJ, Krause JA: PKC δ -mediated IRS-1 Ser24 phosphorylation negatively regulates IRS-1 function. *Biochem Biophys Res Comm* 349:976–986, 2006
34. Weigert C, Hennige AM, Lehmann R, Brodbeck K, Baumgartner F, Schauble M, Haring HU, Schleicher ED: Direct cross-talk of interleukin-6 and insulin signal transduction via insulin receptor substrate-1 in skeletal muscle cells. *J Biol Chem* 281:7060–7067, 2006
35. Waraich RS, Weigert C, Kalbacher H, Hennige AM, Lutz S, Haring HU, Schleicher ED, Voelter W, Lehmann R: Phosphorylation of Ser357 of rat insulin receptor substrate-1 mediates adverse effects of protein kinase C- δ on insulin action in skeletal muscle cells. *J Biol Chem* 283:11226–11233, 2008
36. Li Y, Soos TJ, Li XH, Wu J, DeGennaro M, Sun XJ, Littman DR, Birnbaum MJ, Polakiewicz RD: Protein kinase C θ inhibits insulin signaling by phosphorylating IRS1 at Ser(1101). *J Biol Chem* 279:45304–45307, 2004
37. Liu YF, Paz K, Herschkovitz A, Alt A, Tennenbaum T, Sampson SR, Ohba M, Kuroki T, LeRoith D, Zick Y: Insulin stimulates PKC ζ -mediated phosphorylation of insulin receptor substrate-1 (IRS-1): a self-attenuated mechanism to negatively regulate the function of IRS proteins. *J Biol Chem* 276:14459–14465, 2001
38. Ravichandran LV, Esposito DL, Chen J, Quon MJ: Protein kinase C- ζ phosphorylates insulin receptor substrate-1 and impairs its ability to activate phosphatidylinositol 3-kinase in response to insulin. *J Biol Chem* 276:3543–3549, 2001
39. Moeschel K, Beck A, Weigert C, Lammers R, Kalbacher H, Voelter W, Schleicher ED, Haring HU, Lehmann R: Protein kinase C- ζ -induced phosphorylation of Ser(318) in insulin receptor substrate-1 (IRS-1) attenuates the interaction with the insulin receptor and the tyrosine phosphorylation of IRS-1. *J Biol Chem* 279:25157–25163, 2004
40. Weigert C, Hennige AM, Brischmann T, Beck A, Moeschel K, Schauble M, Brodbeck K, Haring HU, Schleicher ED, Lehmann R: The phosphorylation of Ser(318) of insulin receptor substrate 1 is not per se inhibitory in skeletal muscle cells but is necessary to trigger the attenuation of the insulin-stimulated signal. *J Biol Chem* 280:37393–37399, 2005
41. Coghlan MP, Siddle K: Phorbol esters induce insulin receptor phosphorylation in transfected fibroblasts without affecting tyrosine kinase activity. *Biochem Biophys Res Comm* 193:371–377, 1993
42. Samuel VT, Liu ZX, Wang A, Beddow SA, Geisler JG, Kahn M, Zhang XM, Monia BP, Bhanot S, Shulman GI: Inhibition of protein kinase C ϵ prevents hepatic insulin resistance in nonalcoholic fatty liver disease. *J Clin Invest* 117:739–745, 2007
43. Hribal ML, D'Alfonso R, Giovannone B, Lauro D, Liu YY, Borboni P, Federici M, Lauro R, Sesti G: The sulfonyleurea glimepiride regulates intracellular routing of the insulin-receptor complexes through their interaction with specific protein kinase C isoforms. *Mol Pharmacol* 59:322–330, 2001
44. Schmitz-Peiffer C, Laybutt DR, Burchfield JG, Gurisik E, Narasimhan S, Mitchell CJ, Pedersen DJ, Braun U, Cooney GJ, Leitges M, Biden TJ: Inhibition of PKC ϵ improves glucose-stimulated insulin secretion and reduces insulin clearance. *Cell Metab* 6:320–328, 2007
45. Standaert ML, Bandyopadhyay G, Zhou XP, Galloway L, Farese RV: Insulin stimulates phospholipase D-dependent phosphatidylcholine hydrolysis, Rho translocation, de novo phospholipid synthesis, and diacylglycerol/protein kinase C signaling in L6 myotubes. *Endocrinology* 137:3014–3020, 1996
46. Ishizuka T, Hoffman J, Cooper DR, Watson JE, Pushkin DB, Farese RV: Glucose-induced synthesis of diacylglycerol de novo is associated with translocation (activation) of protein kinase C in rat adipocytes. *FEBS Lett* 249:234–238, 1989
47. Hodgkin MN, Pettitt TR, Martin A, Michell RH, Pemberton AJ, Wakelam MJ: Diacylglycerols and phosphatidates: which molecular species are intracellular messengers? *Trends Biochem Sci* 23:200–204, 1998
48. Cazzoli R, Craig DL, Biden TJ, Schmitz-Peiffer C: Inhibition of glycogen synthesis by fatty acid in C2C12 muscle cells is independent of PKC- α , - ϵ , and - θ . *Am J Physiol* 282:E1204–E1213, 2002
49. Cazzoli R, Mitchell TW, Burchfield JG, Pedersen DJ, Turner N, Biden TJ, Schmitz-Peiffer C: Dilinoleoyl-phosphatidic acid mediates reduced IRS-1 tyrosine phosphorylation in rat skeletal muscle cells and mouse muscle. *Diabetologia* 50:1732–1742, 2007
50. Schmitz-Peiffer C, Craig DL, Biden TJ: Ceramide generation is sufficient to account for the inhibition of the insulin-stimulated PKB pathway in C2C12 skeletal muscle cells pretreated with palmitate. *J Biol Chem* 274:24202–24210, 1999
51. Cazzoli R, Carpenter L, Biden TJ, Schmitz-Peiffer C: A role for protein phosphatase 2A-like activity, but not atypical protein kinase C ζ , in the inhibition of protein kinase B/Akt and glycogen synthesis by palmitate. *Diabetes* 50:2210–2218, 2001
52. Hajdich E, Turban S, Le Liepvre X, Le Lay S, Lipina C, Dimopoulos N, Dugail I, Hundal HS: Targeting of PKC ζ and PKB to caveolin-enriched microdomains represents a crucial step underpinning the disruption in PKB-directed signaling by ceramide. *Biochem J* 410:369–379, 2008
53. Holland WL, Brozinick JT, Wang LP, Hawkins ED, Sargent KM, Liu Y, Narra K, Hoehn KL, Knotts TA, Siesky A, Nelson DH, Karathanasis SK, Fontenot GK, Birnbaum MJ, Summers SA: Inhibition of ceramide synthesis ameliorates glucocorticoid-, saturated-fat-, and obesity-induced insulin resistance. *Cell Metab* 5:167–179, 2007
54. Pettitt TR, Wakelam M: Diacylglycerol kinase ϵ , but not ζ selectively removes polyunsaturated diacylglycerol, inducing altered protein kinase C distribution in vivo. *J Biol Chem* 274:36181–36186, 1999
55. Chibalin AV, Leng Y, Vieira E, Krook A, Bjornholm M, Long YC, Kotova O, Zhong Z, Sakane F, Steiler T, Nylen C, Wang J, Laakso M, Topham MK, Gilbert M, Wallberg-Henriksson H, Zierath JR: Downregulation of diacylglycerol kinase δ contributes to hyperglycemia-induced insulin resistance. *Cell* 132:375–386, 2008
56. Topham MK: Signaling roles of diacylglycerol kinases. *J Cell Biochem* 97:474–484, 2006
57. Leitges M, Plomann M, Standaert ML, Bandyopadhyay G, Sajan MP, Kanoh Y, Farese RV: Knockout of PKC α enhances insulin signaling through PI3K. *Mol Endocrinol* 16:847–858, 2002
58. Standaert ML, Bandyopadhyay G, Galloway L, Soto J, Ono Y, Kikkawa U, Farese RV, Leitges M: Effects of knockout of the protein kinase C β gene on glucose transport and glucose homeostasis. *Endocrinology* 140:4470–4477, 1999
59. Bansode R, Huang W, Roy S, Mehta M, Mehta KD: PKC β deficiency increases fatty acid oxidation and reduces fat storage. *J Biol Chem* 283:231–236, 2008
60. Kim JK, Fillmore JJ, Sunshine MJ, Albrecht B, Higashimori T, Kim D-W, Liu X-X, Soos TJ, Cline GW, O'Brien WR, Littman DR, Shulman GI: PKC- θ knockout mice are protected from fat-induced insulin resistance. *J Clin Invest* 114:823–827, 2004
61. Gao Z, Wang Z, Zhang X, Butler AA, Zuberi A, Gawronska-Kozak B, Lefevre M, York D, Ravussin E, Berthoud HR, McGuinness O, Cefalu WT, Ye J: Inactivation of PKC θ leads to increased susceptibility to obesity and dietary insulin resistance in mice. *Am J Physiol* 292:E84–E91, 2007
62. Serra C, Federici M, Buongiorno A, Senni MI, Morelli S, Segratella E, Pascuccio M, Tiverson C, Mattei E, Tatangelo L, Lauro R, Molinaro M, Giaccari A, Bouche M: Transgenic mice with dominant negative PKC- θ in skeletal muscle: a new model of insulin resistance and obesity. *J Cell Physiol* 196:89–97, 2003
63. Yu C, Chen Y, Zong H, Wang Y, Bergeron R, Kim JK, Cline GW, Cushman SW, Cooney GJ, Atcheson B, White MF, Kraegen EW, Shulman GI: Mechanism by which fatty acids inhibit insulin activation of IRS-1 associated phosphatidylinositol 3-kinase activity in muscle. *J Biol Chem* 277:50230–50236, 2002
64. Jones PM, Persaud SJ: Protein kinases, protein phosphorylation, and the regulation of insulin secretion from pancreatic β -cells. *Endocr Rev* 19:429–461, 1998
65. Gilon P, Henquin JC: Mechanisms and physiological significance of the cholinergic control of pancreatic β -cell function. *Endocr Rev* 22:565–604, 2001
66. Zawalich W, Brown C, Rasmussen H: Insulin secretion: combined effects

- of phorbol ester and A23187. *Biochem Biophys Res Comm* 117:448–455, 1983
67. Biden TJ, Peter-Riesch B, Schlegel W, Wollheim CB: Ca²⁺-mediated generation of inositol 1,4,5-triphosphate and inositol 1,3,4,5-tetrakisphosphate in pancreatic islets: studies with K⁺, glucose, and carbamylcholine. *J Biol Chem* 262:3567–3571, 1987
 68. Peter-Riesch B, Fathi M, Schlegel W, Wollheim CB: Glucose and carbamylcholine generate 1,2-diacylglycerols by different mechanisms in pancreatic islets. *J Clin Invest* 81:1154–1161, 1988
 69. Wolf BA, Easom RA, McDaniel ML, Turk J: Diacylglycerol synthesis de novo from glucose by pancreatic islets isolated from rats and humans. *J Clin Invest* 85:482–490, 1990
 70. Deeney JT, Prentki M, Corkey BE: Metabolic control of β -cell function. *Semin Cell Dev Biol* 11:267–275, 2000
 71. Yaney GC, Corkey BE: Fatty acid metabolism and insulin secretion in pancreatic β -cells. *Diabetologia* 46:1297–1312, 2003
 72. Knutson KL, Hoenig M: Identification and subcellular characterization of protein kinase-C isoforms in insulinoma β -cells and whole islets. *Endocrinology* 135:881–886, 1994
 73. Tian YM, Urquidí V, Ashcroft SJ: Protein kinase C in β -cells: expression of multiple isoforms and involvement in cholinergic stimulation of insulin secretion. *Mol Cell Endocrinol* 119:185–193, 1996
 74. Kaneto H, Suzuma K, Sharma A, Bonner-Weir S, King GL, Weir GC: Involvement of protein kinase C β 2 in c-myc induction by high glucose in pancreatic β -cells. *J Biol Chem* 277:3680–3685, 2002
 75. Carpenter L, Mitchell CJ, Xu ZZ, Poronnik P, Both GW, Biden TJ: PKC α is activated but not required during glucose-induced insulin secretion from rat pancreatic islets. *Diabetes* 53:53–60, 2004
 76. Zawulich WS, Zawulich KC: Species differences in the induction of time-dependent potentiation of insulin secretion. *Endocrinology* 137:1664–1669, 1996
 77. Henquin JC, Dufrane D, Nenquin M: Nutrient control of insulin secretion in isolated normal human islets. *Diabetes* 55:3470–3477, 2006
 78. Ganesan S, Calle R, Zawulich K, Greenawalt K, Zawulich W, Shulman GI, Rasmussen H: Immunocytochemical localization of α -protein kinase-C in rat pancreatic β -cells during glucose-induced insulin secretion. *J Cell Biol* 119:313–324, 1992
 79. Yedovitzky M, Mochlyrosen D, Johnson JA, Gray MO, Ron D, Abramovitch E, Cerasi E, Neshler R: Translocation inhibitors define specificity of protein kinase C isoenzymes in pancreatic β -cells. *J Biol Chem* 272:1417–1420, 1997
 80. Pinton P, Tsuboi T, Ainscow EK, Pozzan T, Rizzuto R, Rutter GA: Dynamics of glucose-induced membrane recruitment of protein kinase C β II in living pancreatic islet β -cells. *J Biol Chem* 277:37702–37710, 2002
 81. Zaitsev SV, Efendic S, Arkhammar P, Bertorello AM, Berggren PO: Dissociation between changes in cytoplasmic free Ca²⁺ concentration and insulin secretion as evidenced from measurements in mouse single pancreatic islets. *Proc Natl Acad Sci U S A* 92:9712–9716, 1995
 82. Mendez CF, Leibiger IB, Leibiger B, Hoy M, Gromada J, Berggren PO, Bertorello AM: Rapid association of protein kinase C- ϵ with insulin granules is essential for insulin exocytosis. *J Biol Chem* 278:44753–44757, 2003
 83. Warwar N, Efendic S, Ostenson CG, Haber EP, Cerasi E, Neshler R: Dynamics of glucose-induced localization of PKC isoenzymes in pancreatic β -cells: diabetes-related changes in the GK rat. *Diabetes* 55:590–599, 2006
 84. Easom RA, Hughes JH, Landt M, Wolf BA, Turk J, McDaniel ML: Comparison of effects of phorbol esters and glucose on protein kinase C activation and insulin secretion in pancreatic islets. *Biochem J* 264:27–33, 1989
 85. Arkhammar P, Nilsson T, Welsh M, Welsh N, Berggren PO: Effects of protein kinase C activation on the regulation of the stimulus-secretion coupling in pancreatic β -cells. *Biochem J* 264:207–215, 1989
 86. Gonelle-Gispert C, Costa M, Takahashi M, Sadoul K, Halban P: Phosphorylation of SNAP-25 on serine-187 is induced by secretagogues in insulin-secreting cells, but is not correlated with insulin secretion. *Biochem J* 368:223–232, 2002
 87. Hii CS, Jones PM, Persaud SJ, Howell SL: A re-assessment of the role of protein kinase C in glucose-stimulated insulin secretion. *Biochem J* 246:489–493, 1987
 88. Zawulich WS, Zawulich KC, Kelley GG: Regulation of insulin release by phospholipase C activation in mouse islets: differential effects of glucose and neurohumoral stimulation. *Endocrinology* 136:4903–4909, 1995
 89. Harris TE, Persaud SJ, Jones PM: Atypical isoforms of PKC and insulin secretion from pancreatic β -cells: evidence using Go 6976 and Ro 31–8220 as PKC inhibitors. *Biochem Biophys Res Comm* 227:672–676, 1996
 90. Zawulich WS, Zawulich KC: Effects of protein kinase C inhibitors on insulin secretory responses from rodent pancreatic islets. *Mol Cell Endocrinol* 177:95–105, 2001
 91. Zhang H, Nagasawa M, Yamada S, Mogami H, Suzuki Y, Kojima I: Bimodal role of conventional protein kinase C in insulin secretion from rat pancreatic β cells. *J Physiol* 561:133–147, 2004
 92. Hoy M, Berggren PO, Gromada J: Involvement of protein kinase C ϵ in inositol hexakisphosphate-induced exocytosis in mouse pancreatic β -cells. *J Biol Chem* 278:35168–35171, 2003
 93. Knutson KL, Hoenig M: Arachidonic acid-induced down-regulation of protein kinase C δ in β -cells. *J Cell Biochem* 62:543–552, 1996
 94. Alcazar O, Qiu-yue Z, Gine E, Tamarit-Rodriguez J: Stimulation of islet protein kinase C translocation by palmitate requires metabolism of the fatty acid. *Diabetes* 46:1153–1158, 1997
 95. Eitel K, Staiger H, Rieger J, Mischak H, Brandhorst H, Brendel MD, Bretzel RG, Haring HU, Kellerer M: Protein kinase C δ activation and translocation to the nucleus are required for fatty acid-induced apoptosis of insulin-secreting cells. *Diabetes* 52:991–997, 2003
 96. Wrede CE, Dickson LM, Lingohr MK, Briaud I, Rhodes CJ: Fatty acid and phorbol ester-mediated interference of mitogenic signaling via novel protein kinase C isoforms in pancreatic β -cells (INS-1). *J Mol Endocrinol* 30:271–286, 2003
 97. Warnotte C, Gilon P, Nenquin M, Henquin JC: Mechanisms of the stimulation of insulin release by saturated fatty acids: a study of palmitate effects in mouse β -cells. *Diabetes* 43:703–711, 1994
 98. Thams P, Capito K: Differential mechanisms of glucose and palmitate in augmentation of insulin secretion in mouse pancreatic islets. *Diabetologia* 44:738–746, 2001
 99. Littman ED, Pitchumoni S, Garfinkel MR, Opara EC: Role of protein kinase C isoenzymes in fatty acid stimulation of insulin secretion. *Pancreas* 20:256–263, 2000
 100. Knutson KL, Hoenig M: Regulation of distinct pools of protein kinase C δ in β cells. *J Cell Biochem* 60:130–138, 1996
 101. Yaney GC, Korchak HM, Corkey BE: Long-chain acyl CoA regulation of protein kinase C and fatty acid potentiation of glucose-stimulated insulin secretion in clonal β -cells. *Endocrinology* 141:1989–1998, 2000
 102. Fujiwara K, Maekawa F, Yada T: Oleic acid interacts with GPR40 to induce Ca²⁺ signaling in rat islet β -cells: mediation by PLC and L-type Ca²⁺ channel and link to insulin release. *Am J Physiol* 289:E670–E677, 2005
 103. Buteau J, Foisy S, Rhodes CJ, Carpenter L, Biden TJ, Prentki M: Protein kinase C ζ activation mediates glucagon-like peptide-1-induced pancreatic β -cell proliferation. *Diabetes* 50:2237–2243, 2001
 104. Hennige AM, Fritsche A, Strack V, Weigert C, Mischak H, Borboni P, Renn W, Haring HU, Kellerer M: PKC ζ enhances insulin-like growth factor 1-dependent mitogenic activity in the rat clonal β cell line RIN 1046–38. *Biochem Biophys Res Comm* 290:85–90, 2002
 105. Vasavada RC, Wang L, Fujinaka Y, Takane KK, Rosa TC, Mellado-Gil JM, Friedman PA, Garcia-Ocana A: Protein kinase C- ζ activation markedly enhances β -cell proliferation: an essential role in growth factor-mediated β -cell mitogenesis. *Diabetes* 56:2732–2743, 2007
 106. Hashimoto N, Kido Y, Uchida T, Matsuda T, Suzuki K, Inoue H, Matsumoto M, Ogawa W, Maeda S, Fujihara H, Ueta Y, Uchiyama Y, Akimoto K, Ohno S, Noda T, Kasuga M: PKC λ regulates glucose-induced insulin secretion through modulation of gene expression in pancreatic β cells. *J Clin Invest* 115:138–145, 2005
 107. Furukawa N, Shirotani T, Araki E, Kaneko K, Todaka M, Matsumoto K, Tsuruzoe K, Motoshima H, Yoshizato K, Kishikawa H, Shichiri M: Possible involvement of atypical protein kinase C (PKC) in glucose-sensitive expression of human insulin gene: DNA-binding activity and transcriptional activity of pancreatic and duodenal homeobox gene-1 (PDX-1) are enhanced via calphostin C-sensitive but phorbol 12-myristate 13-acetate (PMA) and Go 6976-insensitive pathway. *Endocr J* 46:43–58, 1999
 108. Miele C, Raciti GA, Cassese A, Romano C, Giacco F, Oriente F, Paturzo F, Andreozzi F, Zabatta A, Troncone G, Bosch F, Pujol A, Chneiweiss H, Formisano P, Beguinot F: PED/PEA-15 regulates glucose-induced insulin secretion by restraining potassium channel expression in pancreatic β -cells. *Diabetes* 56:622–633, 2007
 109. Carpenter L, Cordery D, Biden TJ: Protein kinase C δ activation by interleukin-1 β stabilizes inducible nitric-oxide synthase mRNA in pancreatic β -cells. *J Biol Chem* 276:5368–5374, 2001
 110. Carpenter L, Cordery D, Biden TJ: Inhibition of protein kinase C δ protects rat INS-1 cells against interleukin-1 β and streptozotocin-induced apoptosis. *Diabetes* 51:317–324, 2002
 111. Uchida T, Iwashita N, Ohara-Imaizumi M, Ogihara T, Nagai S, Choi JB, Tamura Y, Tada N, Kawamori R, Nakayama KI, Nagamatsu S, Watada H: Protein kinase C δ plays a non-redundant role in insulin secretion in pancreatic β cells. *J Biol Chem* 282:2707–2716, 2007